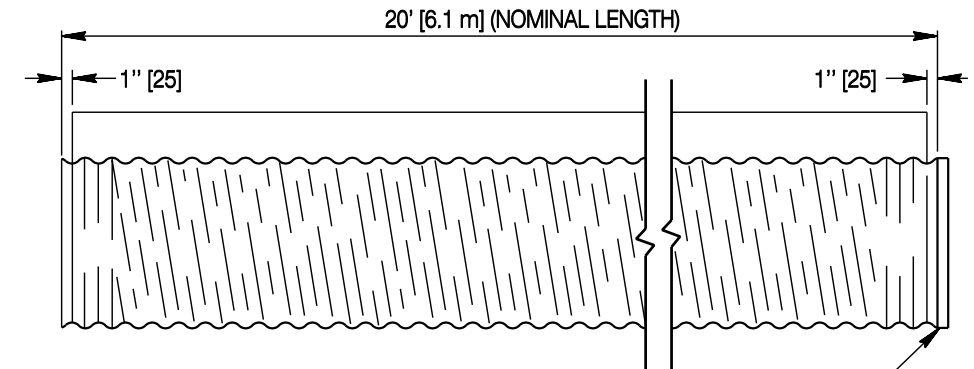


GENERAL NOTES

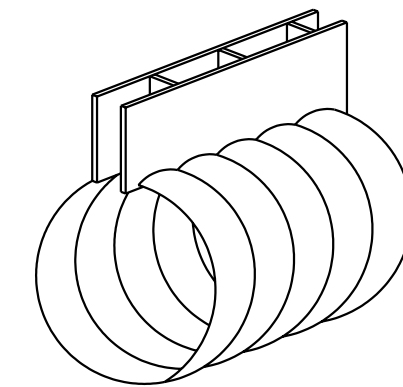
Install slotted drain in multiples of 10 ft [3 m] unless otherwise approved by the engineer.

Use 1/2 in Ø x 3 in [13 Ø x 75] galvanized bolts and nuts for anchors. Weld nuts in the shop to the slot with 2 ft [610] spacing. Add bolts just prior to installation to avoid damage.

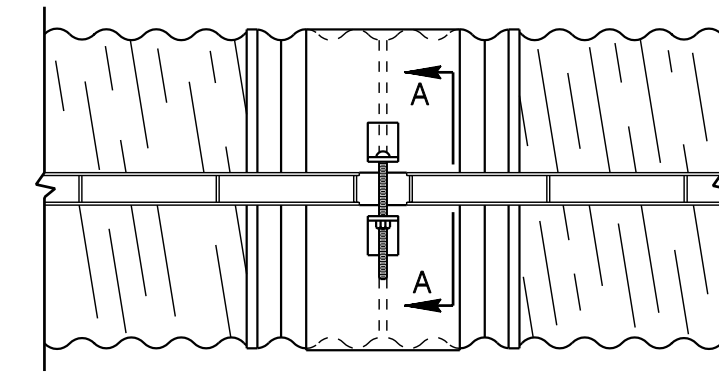


TYPICAL SECTION

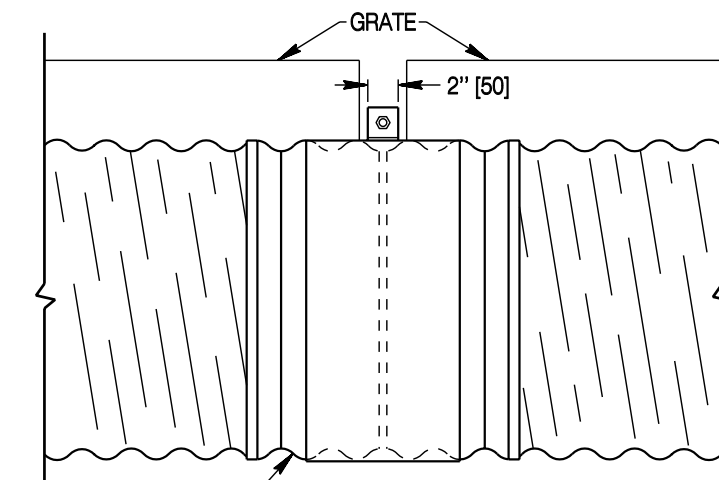
METAL OR MINOR CONCRETE END PLUG



SLOTTED DRAIN



TOP VIEW



FRONT VIEW

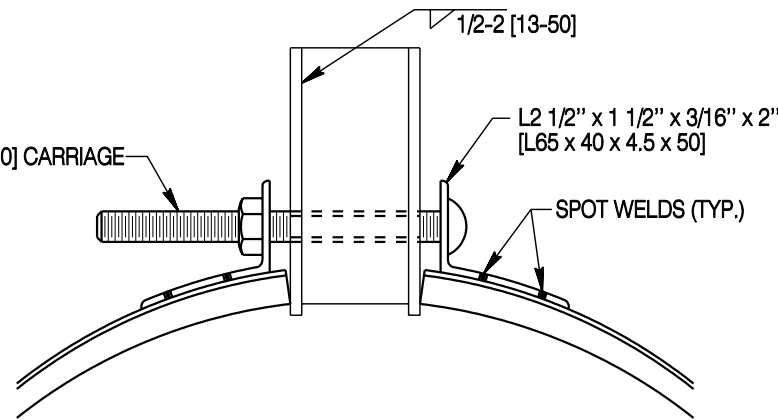
16 GAGE [1.6 THICK] COUPLING BAND

TYPICAL COUPLING BAND

2 2/3" x 1/2" [68 x 13] CORRUGATIONS

1/2" Ø x 6" [13 Ø x 150] CARRIAGE BOLT AND HEX NUT

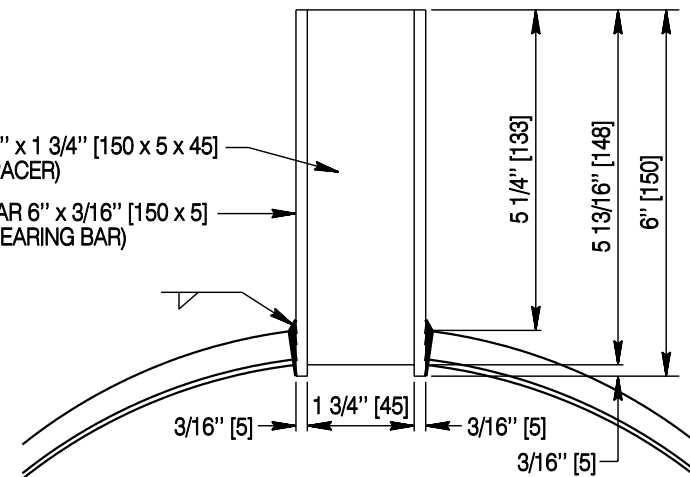
14 GAGE [2.0 THICK] STEEL PIPE (12" [300] Ø TO 30" [750] Ø)



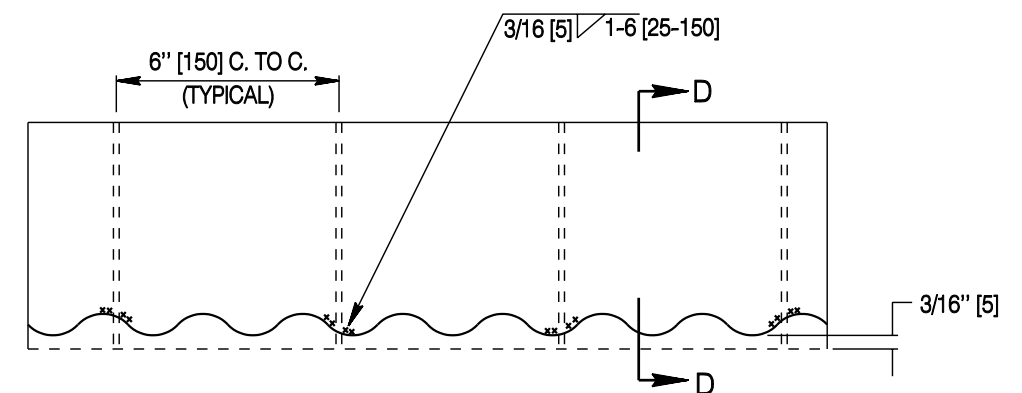
SECTION A-A

BAR 6" x 3/16" x 1 3/4" [150 x 5 x 45] (VERTICAL SPACER)

BAR 6" x 3/16" [150 x 5] (BEARING BAR)



SECTION D-D



GRATE SLOT WELDING DETAIL

Designed by: JVIC
 Drawn by: GLD
 Checked by: RRC
 Previous Des. No. 603-05A

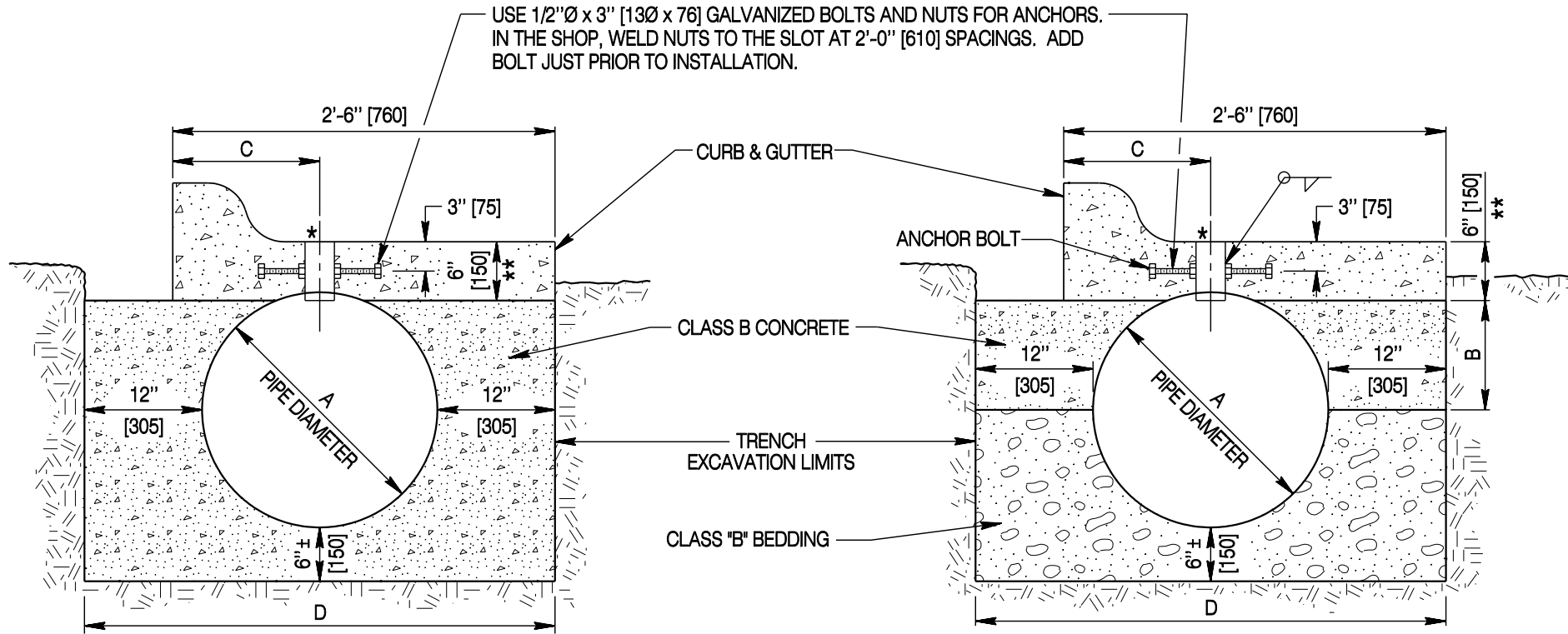
Note: Units shown in brackets [] are metric and are in millimeters (mm) unless other units are shown.



SLOTTED DRAINS
 STANDARD PLAN

STANDARD PLAN NUMBER
631-1
 SHEET 1 of 2
 Issued by: ENGINEERING SERVICES
 Date Issued: NOVEMBER, 2004
 FILE: j:\StanDual_Std_Vrk6311_01.dgn

USE 1/2"Ø x 3" [130 x 76] GALVANIZED BOLTS AND NUTS FOR ANCHORS. IN THE SHOP, WELD NUTS TO THE SLOT AT 2'-0" [610] SPACINGS. ADD BOLT JUST PRIOR TO INSTALLATION.

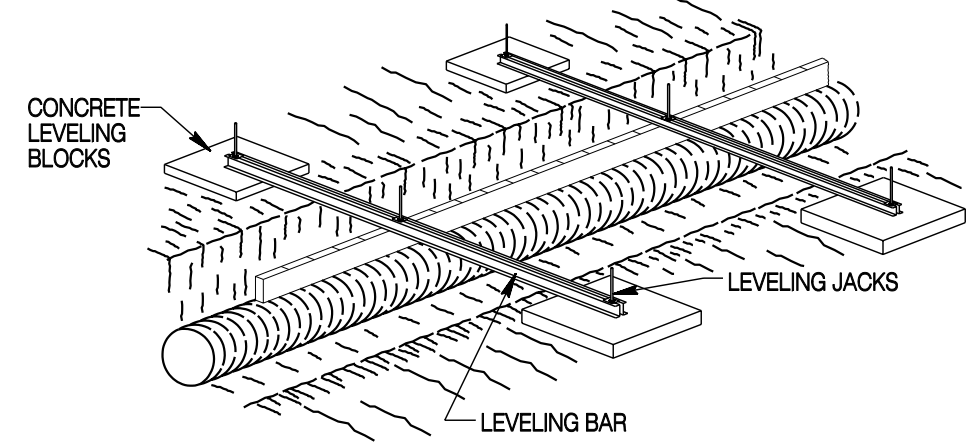


STANDARD INSTALLATION
16 GAGE [1.6 THICK] SLOTTED DRAIN

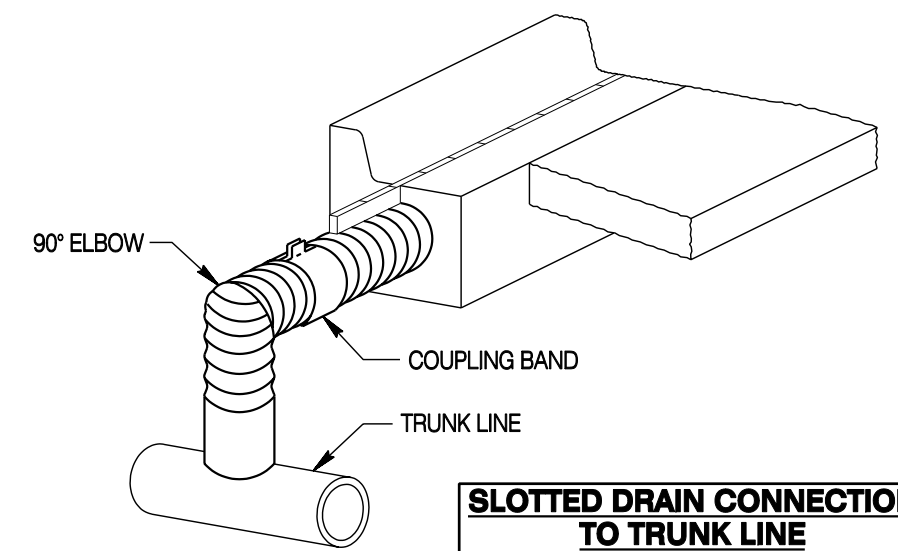
ALTERNATE INSTALLATION
14 GAGE [2.0 THICK] SLOTTED DRAIN

* RECESS SLOTTED DRAIN 1/8" [3] BELOW TOP OF CONCRETE GUTTER TO ENSURE THERE ARE NO DIRECT WHEEL LOADS ON THE SLOTTED DRAIN.
 ** ENSURE DISTANCE FROM THE TOP OF THE SLOT TO THE INVERT OF THE PIPE IS EQUAL TO PIPE DIAMETER PLUS 5 13/16 IN [148].

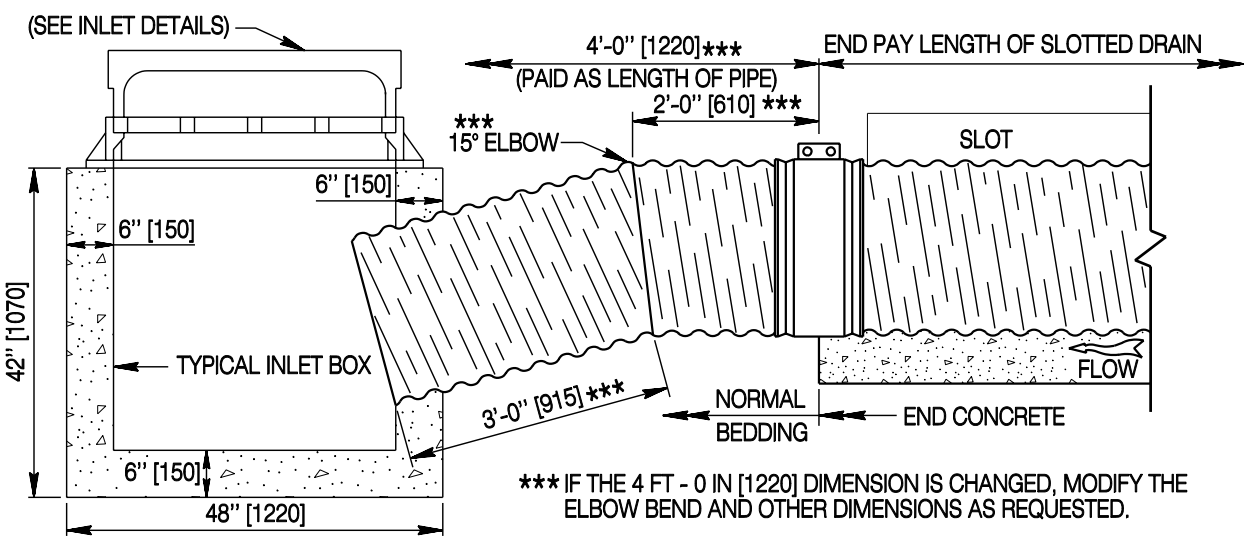
DIMENSIONS							
A		B		C		D	
IN	mm	IN	mm	IN	mm	IN	mm
12	300	6	150	12	305	36	915
15	375	8	205	12	305	39	990
18	450	9	230	12	305	42	1070
24	600	12	305	15	380	48	1220
30	750	15	380	15	380	54	1370



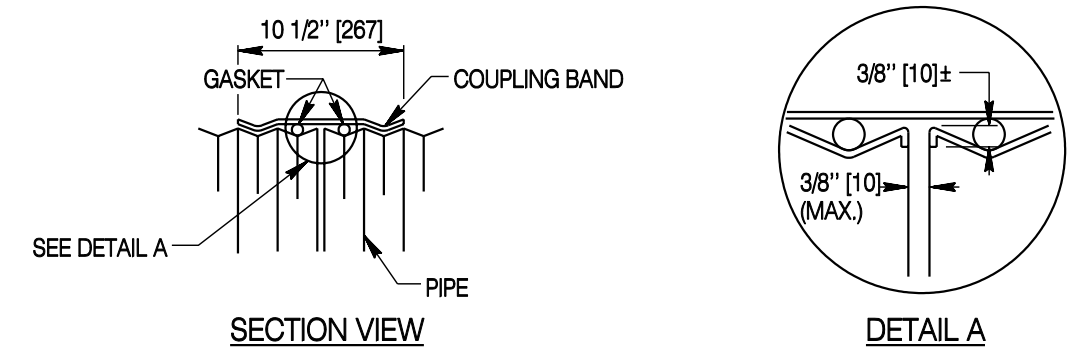
OPTIONAL INSTALLATION METHOD



SLOTTED DRAIN CONNECTION TO TRUNK LINE
(WITHOUT INLET BOX)



BOX CONNECTION



COUPLING BAND CONNECTION DETAIL

Designed by: PPB
 Drawn by: GLD
 Checked by: RRC
 Previous Dwg. No. 603-05A

Note: Units shown in brackets [] are metric and are in millimeters (mm) unless other units are shown.



SLOTTED DRAINS
 STANDARD PLAN

STANDARD PLAN NUMBER
631-1
 SHEET 2 of 2
 Issued by: ENGINEERING SERVICES
 Date Issued: NOVEMBER, 2004
 FILE: J:\Dual_Std\6311_02.dgn