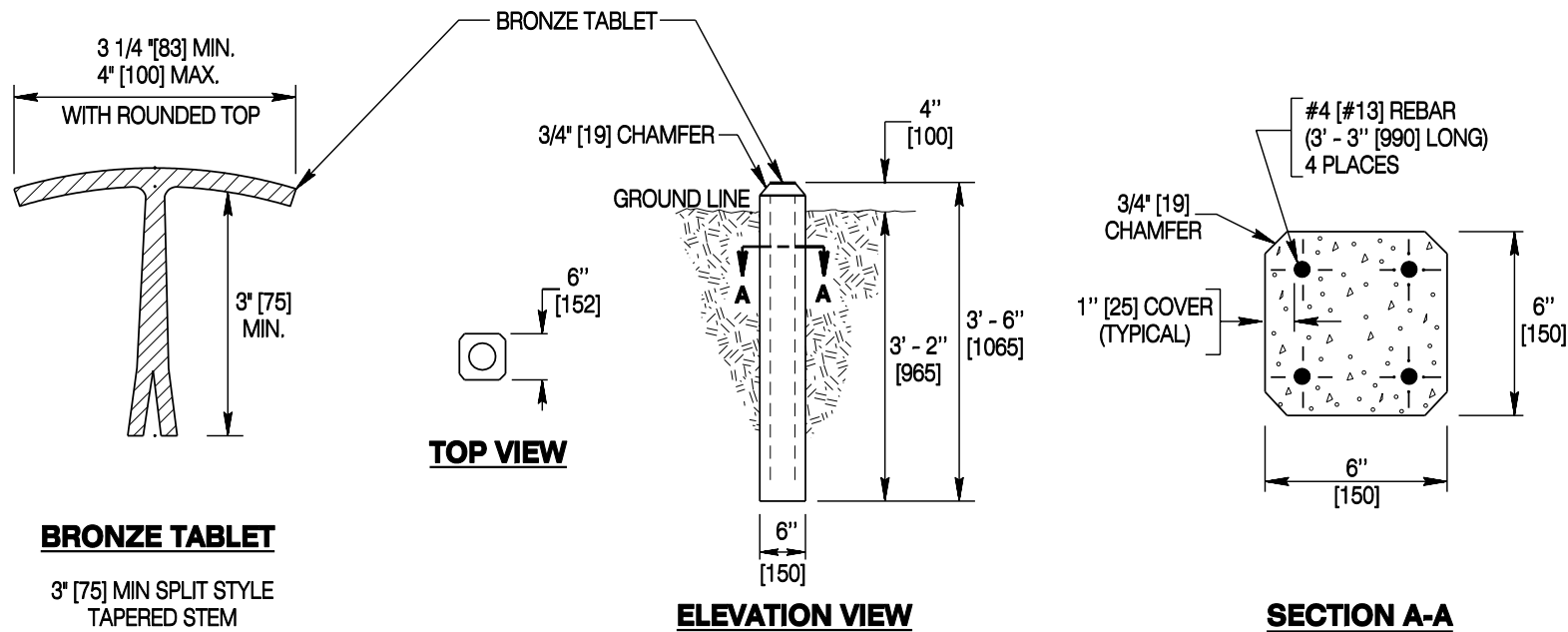


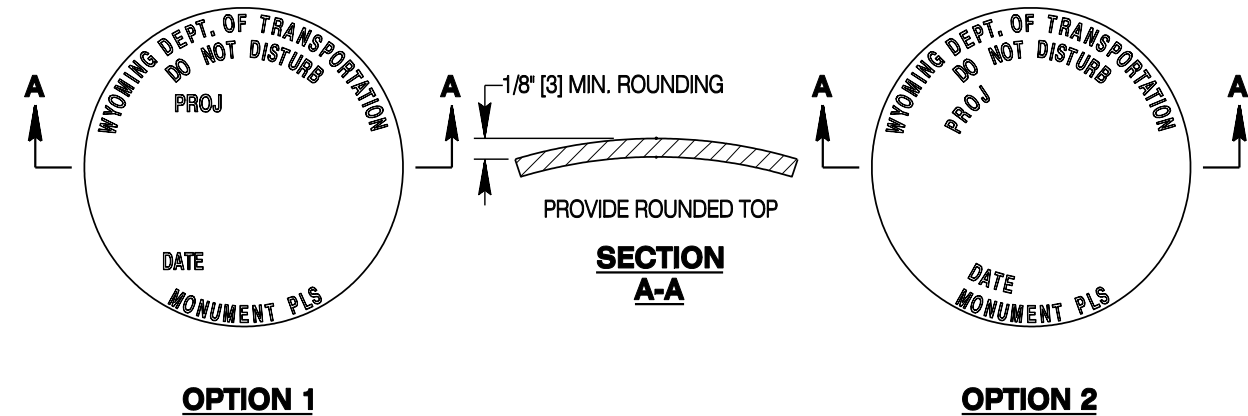
STANDARD HIGHWAY MONUMENT

Finish ground lines smooth and slope to drain away from monument.



GENERAL NOTES

- ① Furnish the standard highway monument (concrete) unless the plans allow the use of the alternate monument.
- ② Provide tablets and/or caps (as specified) with a rounded top. Pre-print the information as shown below for each tablet or cap. Use recessed lettering with a minimum text height of 3/16 inch [5] and maximum height of 1/4 inch [6]. Ensure adequate room is available for the surveyor to place a survey mark and other field annotated information.

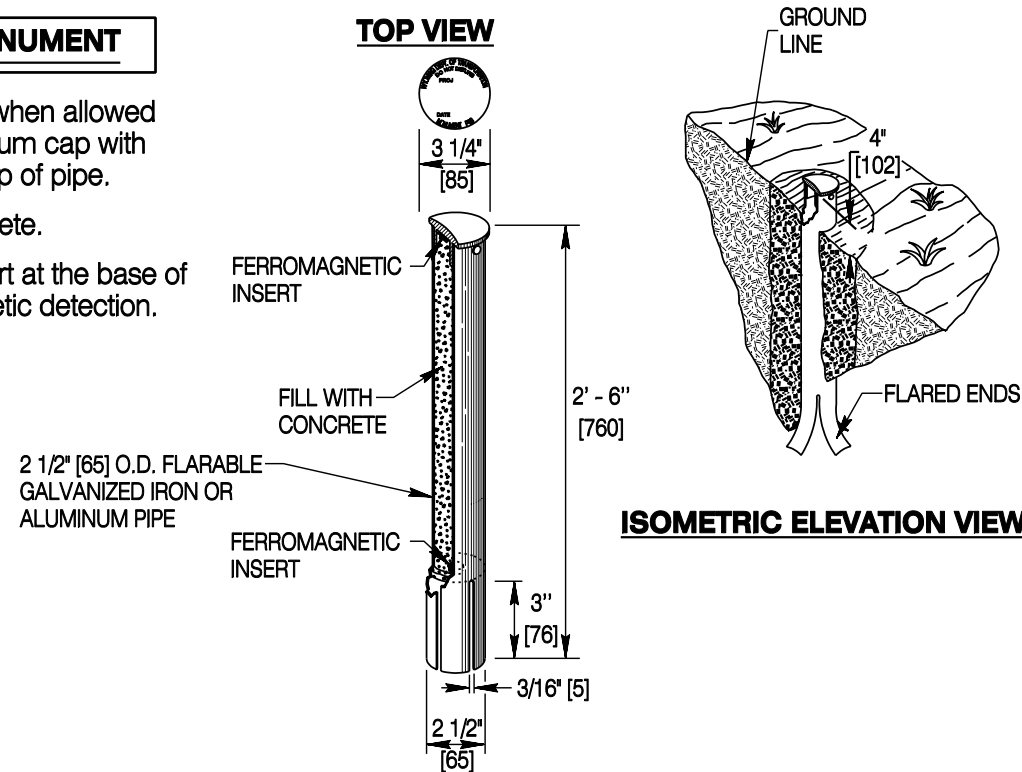


ALTERNATE HIGHWAY MONUMENT

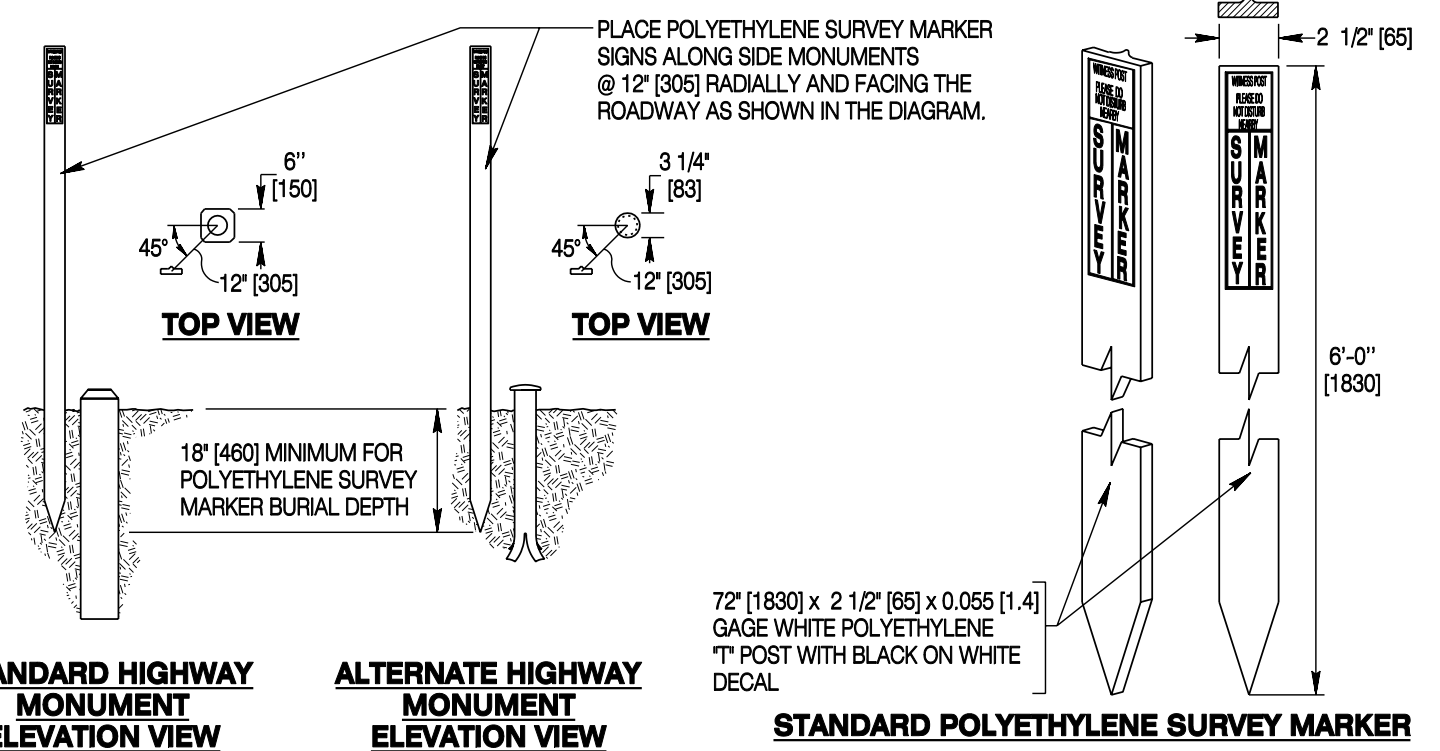
Provide alternate monuments only when allowed in the plans. Use a brass or aluminum cap with a rounded top; fasten securely to top of pipe.

Fill alternate monuments with concrete.

Use at least one ferromagnetic insert at the base of monuments for electronic or magnetic detection.



POLYETHYLENE SURVEY MARKER



Designed by: WBW
 Drawn by: JK
 Checked by: WBW
 Previous Dwg. No. 611-1

Note: Units shown in brackets [] are metric and are in millimeters (mm) unless other units are shown.



HIGHWAY MONUMENTS
 STANDARD PLAN

STANDARD PLAN NUMBER
611-1A
 SHEET 1 of 1
 Issued by: ENGINEERING SERVICES
 Date Issued: OCT. 2007