

**WIRE FENCE TYPE AND POST SPACING REQUIREMENTS**

WIRE	COMBINATION WOVEN WIRE & BARBED WIRE		BARBED WIRE								WOVEN WIRE
	HEIGHT	48" [1220]	45" [1145]	45" [1145]		48" [1220]		45" [1145]		50" [1270]	
FENCE TYPE	TYPE A	TYPE B (INTERSTATE STANDARD)	TYPE C	TYPE D	TYPE E	TYPE F	TYPE G	TYPE H	WING	TEMPORARY	BARRIER
REMARKS	32" [812] WW-2 BW	32" [812] WW-3 BW	26" [660] WW-2 BW	4 BW-1 SMOOTH	3 BW-1 SMOOTH	4 BW	5 BW	6 BW	6 BW	3 BW	26" [660] WW
NOTES										①	②
C O N F I G U R A T I O N	12" [305]	6" [150]	12" [305]	12" [305]	12" [305]	12" [305]	12" [305]	12" [305]	12" [305]	15" [380]	5 1/2" [140]
	2" [50] ±	4" [100] ±	2" [50]	7" [180]	8" [200]	12" [305]	12" [305]	8" [200]	8" [200]	15" [380]	5" [125]
	6" [150]	6" [150]	5" [100]	7" [180]	9" [230]	12" [305]	12" [305]	8" [200]	8" [200]	15" [380]	4 1/2" [115]
	5 1/2" [140]	5 1/2" [140]	5 1/2" [140]	7" [180]	9" [230]	12" [305]	10" [255]	8" [200]	8" [200]	15" [380]	4" [100]
	5" [125]	5" [125]	5" [125]	9" [230]	SMOOTH	12" [305]	10" [255]	8" [200]	8" [200]	15" [380]	3 1/2" [90]
	4 1/2" [115]	4 1/2" [115]	4 1/2" [115]	SMOOTH	SMOOTH	12" [305]	8" [200]	6" [150]	6" [150]	15" [380]	3" [75]
	4" [100]	4" [100]	4" [100]	10" [255]	16" [405]	12" [305]	8" [200]	6" [150]	6" [150]	15" [380]	
	3 1/2" [90]	3 1/2" [90]	3 1/2" [90]			12" [305]	6" [150]	6" [150]	6" [150]	15" [380]	
	3" [75]	3" [75]	3" [75]			12" [305]	6" [150]	6" [150]	6" [150]	15" [380]	
	2" [50]	2" [50]	2" [50]			12" [305]	6" [150]	6" [150]	6" [150]	15" [380]	
LINE POST TYPE	WOOD, PLASTIC OR METAL AS SPECIFIED (IF WOOD OR PLASTIC LINE POSTS ARE USED, METAL LINE POSTS ARE REQUIRED AT SPECIFIED INTERVALS FOR LIGHTENING GROUNDING AS PER THE STANDARD SPECIFICATIONS)									METAL	METAL
MAX. LINE POST SPACING	16' - 6" [5.0 m]								8' - 3" [2.5 m]	20' - 0" [6.1 m] MAX.	16' - 6" [5.0 m]

- \*— Indicates which wires require a fence clip, tie wire or staple attachment to the post.
- /— Indicates barbed wire.
- SMOOTH— Indicates twisted barbless wire.

**NOTES**

- ① Temporary fence runs 200 feet [61 m] and less do not require brace panels for fence terminations unless determined by the engineer they are needed for fence stability.
- ② Barrier Fence should only be specified for medians, not for right-of-way fence.

Designed by: WBW  
 Drawn by: GLD  
 Checked by: WBW  
 Previous Dwg. No. 607-1

**WIRE SPACING AND LINE POST DETAILS**

Note: Units shown in brackets [ ] are metric and are in millimeters (mm) unless other units are shown.



**WYOMING DEPARTMENT OF TRANSPORTATION**



**WIRE FENCE**

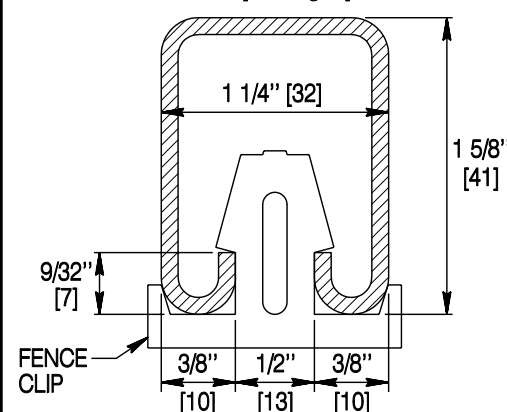
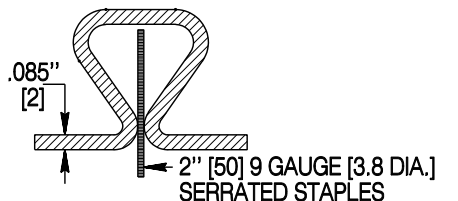
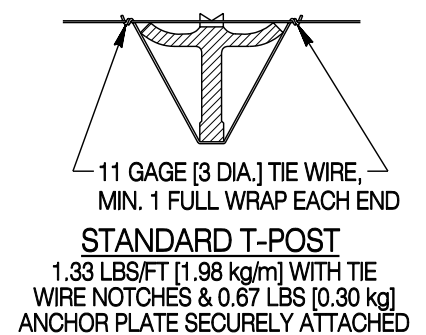
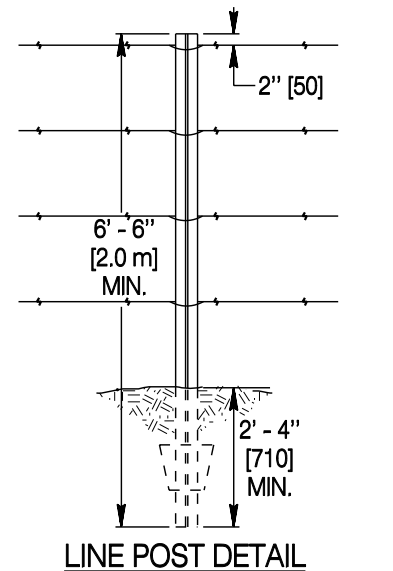
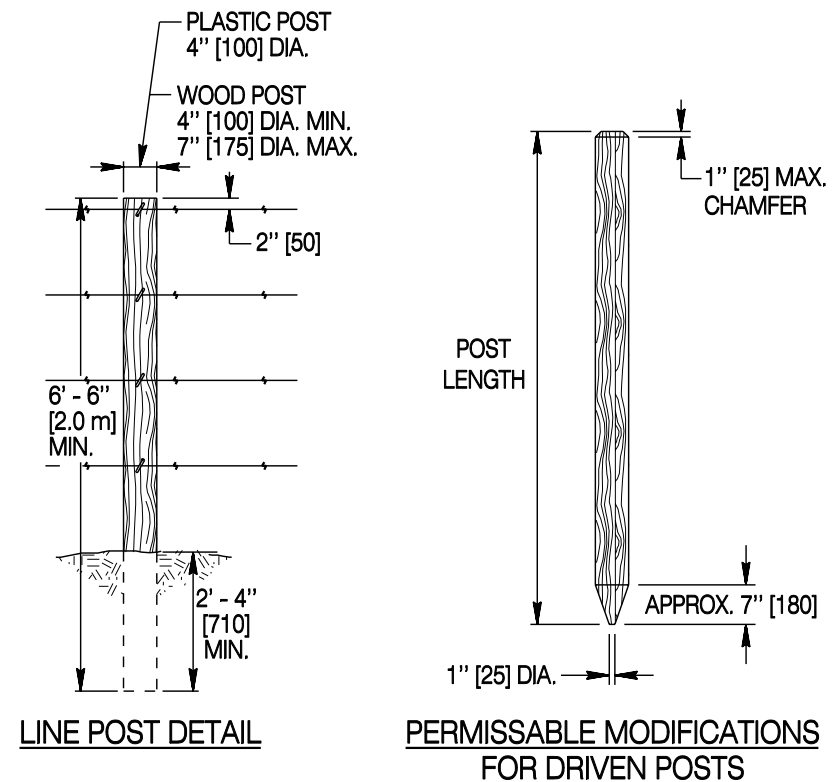
**STANDARD PLAN**

STANDARD PLAN NUMBER

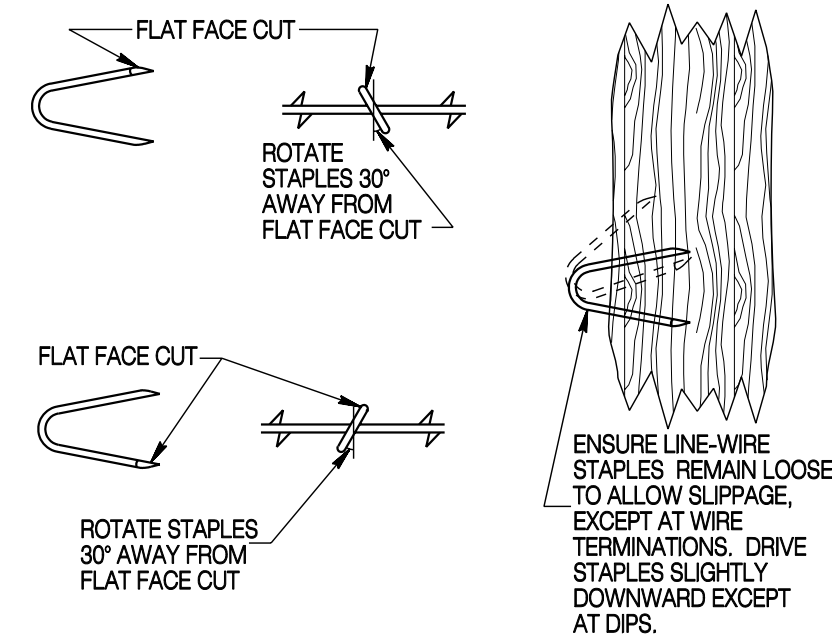
**607-1A**

SHEET 1 of 6

Issued by: ENGINEERING SERVICES  
 Date Issued: DECEMBER 2006



**METAL LINE POSTS**

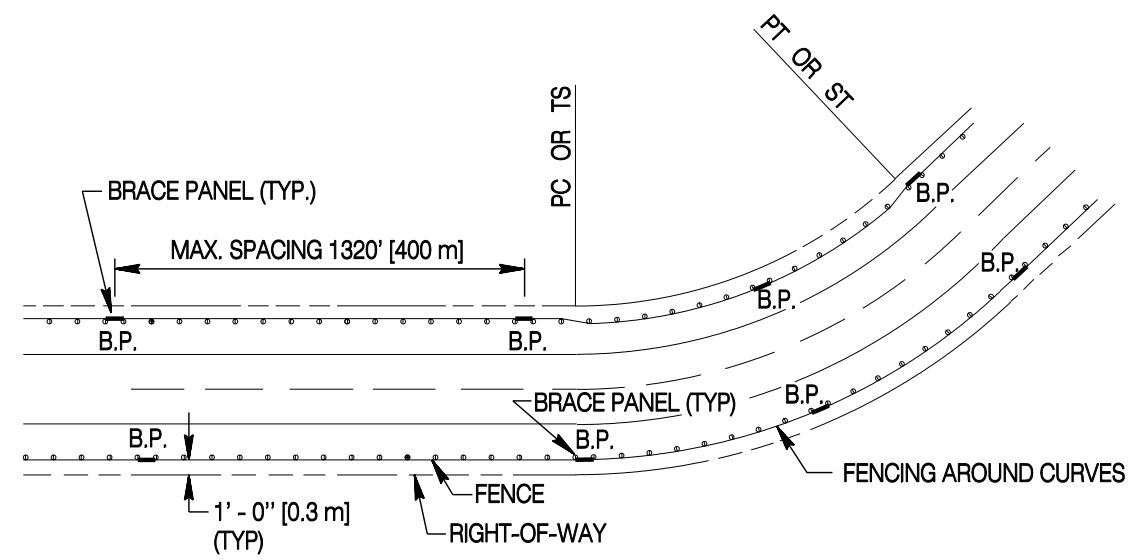
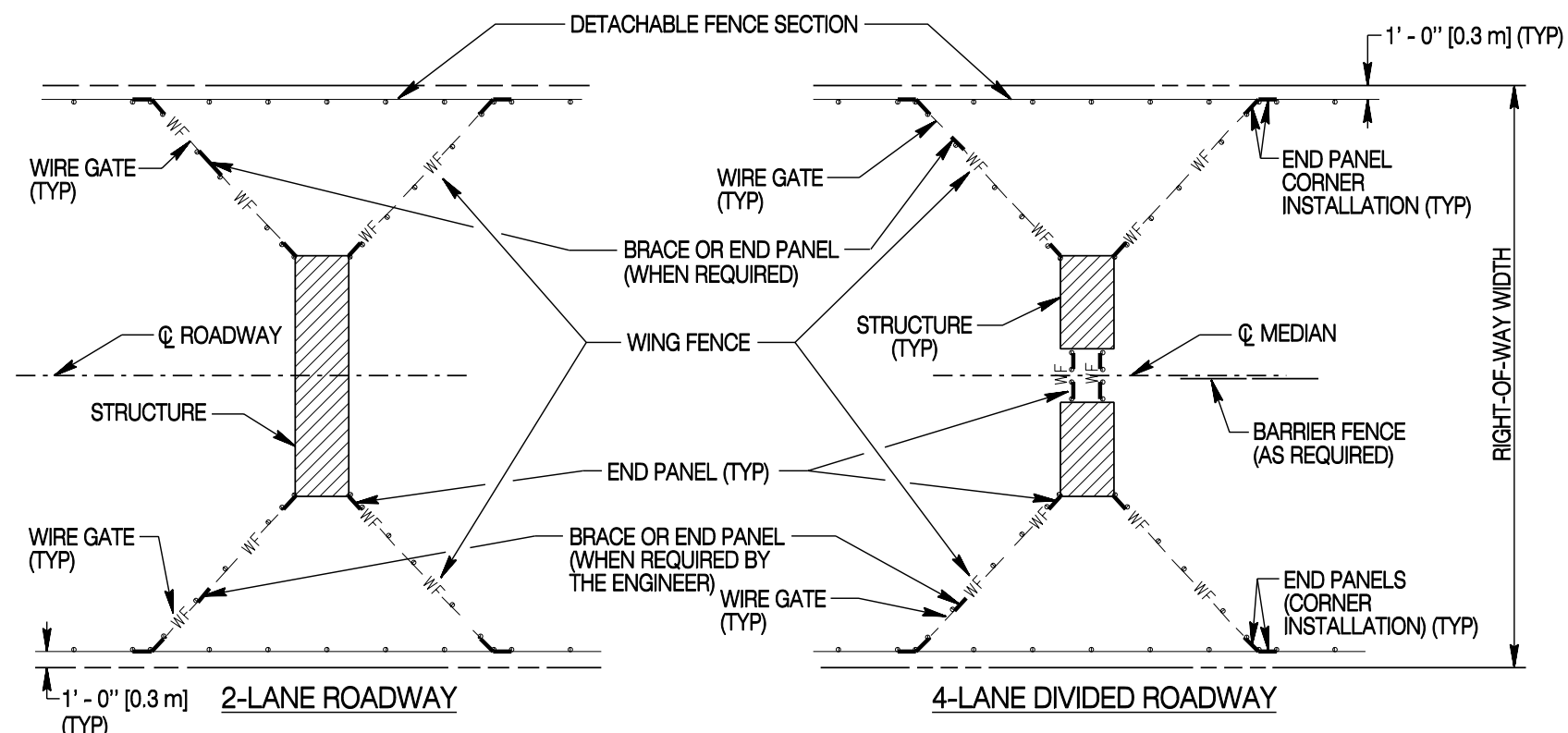


**WIRE ATTACHMENT TO WOOD POSTS & WOOD STAYS (STAPLE DETAILS)**

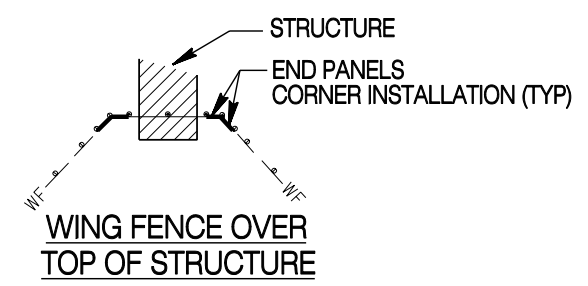
Attach wire to wood posts, wood stays and gate sticks with 2" x 9 gage [50 x 3.8 Dia.] galvanized barbed staples.

**GENERAL NOTES**

Place brace panels in tangent fence runs at locations designated by the engineer but no more than 1320 ft. [400 m] apart.

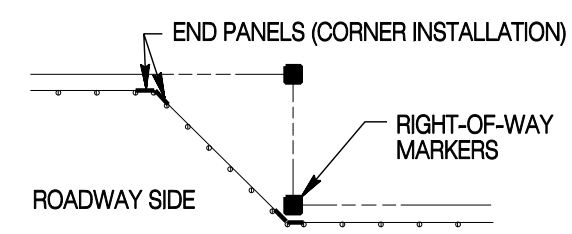


**GENERAL FENCE REQUIREMENTS**

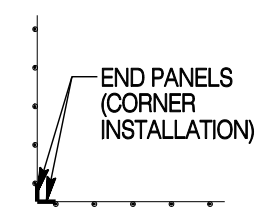


**WING FENCE DETAILS**

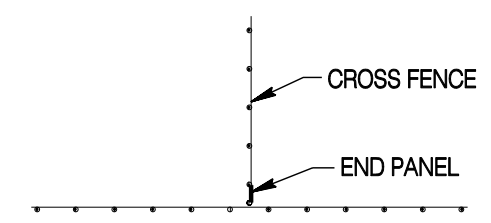
(FOR ALL 72" [1830] EQUIVALENT DIAMETER OR LARGER PIPE, BOX CULVERTS, BRIDGES AND OTHER LOCATIONS AS SPECIFIED IN THE PLANS)



**RIGHT-OF-WAY WIDTH CHANGE**



**CORNER FENCE**



**CROSS FENCE CONNECTION**

Designed by: WBW  
 Drawn by: GLD  
 Checked by: WBW  
 Previous Dwg. No. 607-1

**GENERAL LAYOUT**

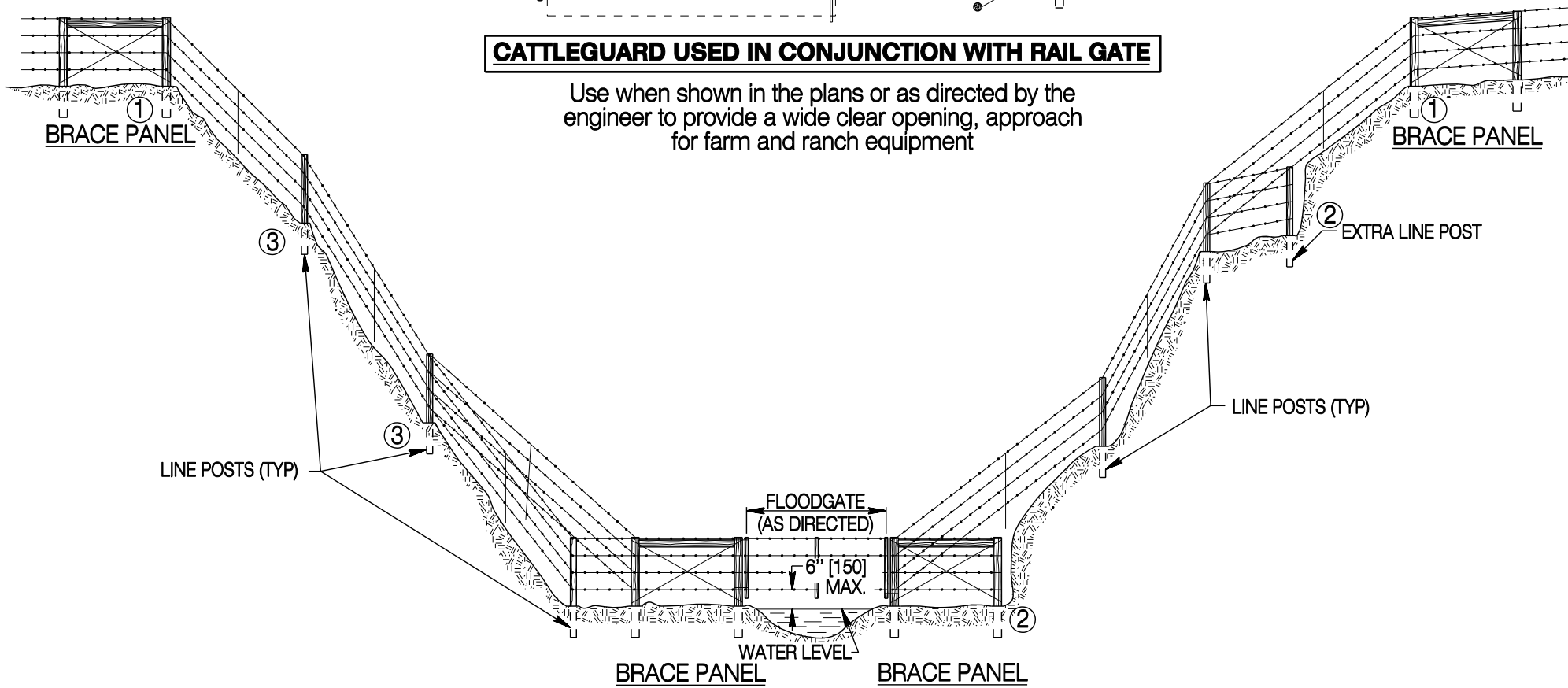
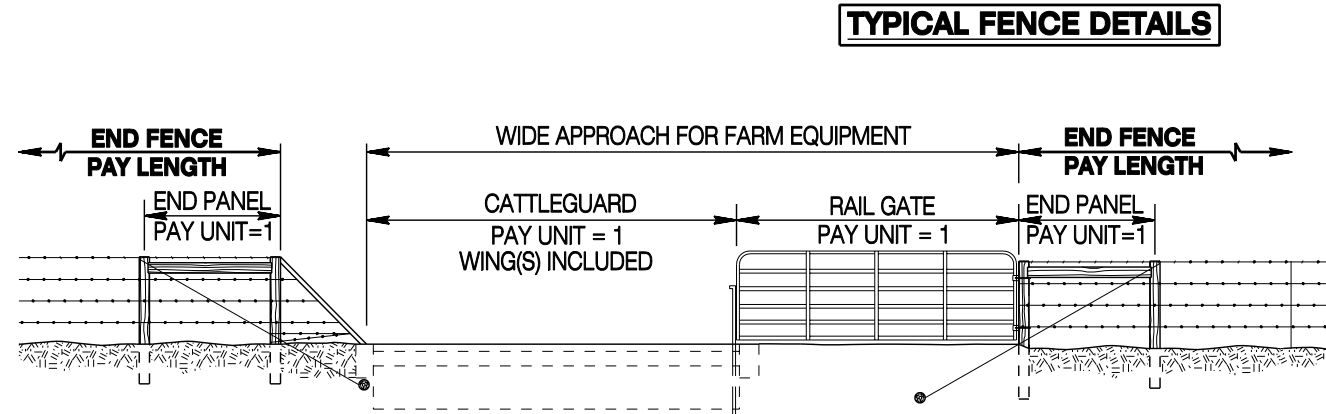
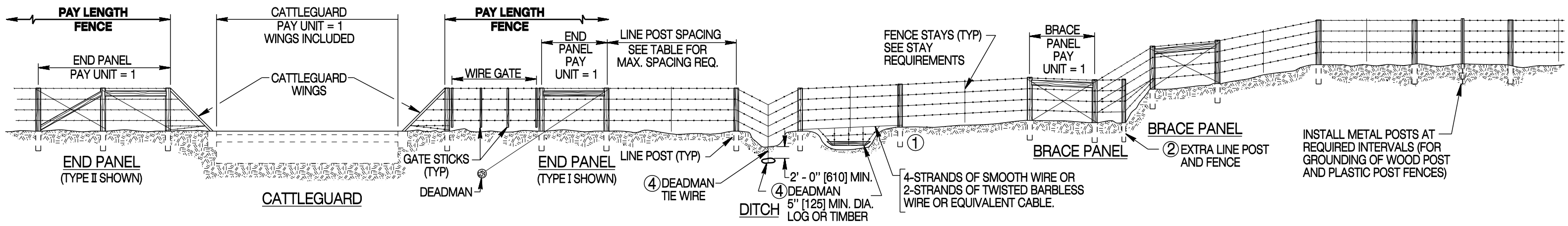


**WIRE FENCE**

**STANDARD PLAN**

STANDARD PLAN NUMBER  
**607-1A**  
 SHEET 2 of 6  
 Issued by: ENGINEERING SERVICES  
 Date Issued: DECEMBER 2006

Note: Units shown in brackets [ ] are metric and are in millimeters (mm) unless other units are shown.



**TYPICAL ROUGH TERRAIN AND FLOOD GATE TREATMENT**

**TYPICAL DITCH TREATMENT**

**NOTES**

- ① As the fence line approaches a depression, ditch or gully, place the last post on level ground close enough to the drop-off edge to string wire to a post in the depression, ditch or gully from both sides without touching the ground.
- ② Level uneven ground as much as possible. Otherwise place additional line fence and/or posts to compensate for terrain features.
- ③ Maintain required wire spacing of bottom wire with respect to the ground. Don't allow bottom wire to contact ground. If necessary, tie bottom wire to next wire to prevent ground contact.
- ④ Ensure deadman and deadman tie wire meet the requirements for End Panels Type I.
- ⑤ Details and notes on this sheet apply to all wire fencing.

Designed by: WBW  
 Drawn by: GLD  
 Checked by: WBW  
 Previous Dwg. No. 607-1

**TYPICAL FENCE CONSTRUCTION DETAILS**

Note: Units shown in brackets [ ] are metric and are in millimeters (mm) unless other units are shown.



WYOMING DEPARTMENT OF TRANSPORTATION



**WIRE FENCE**

STANDARD PLAN

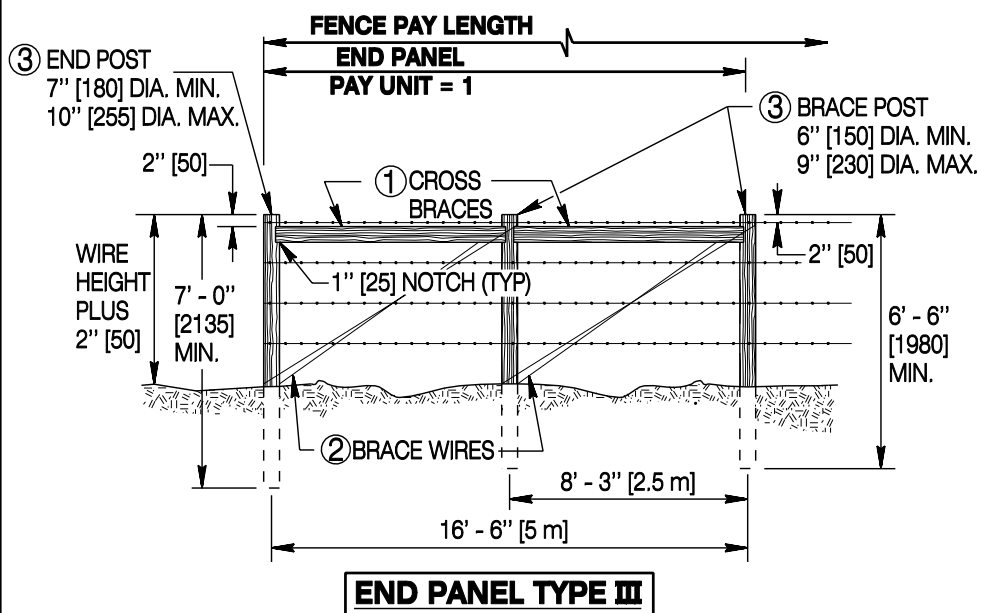
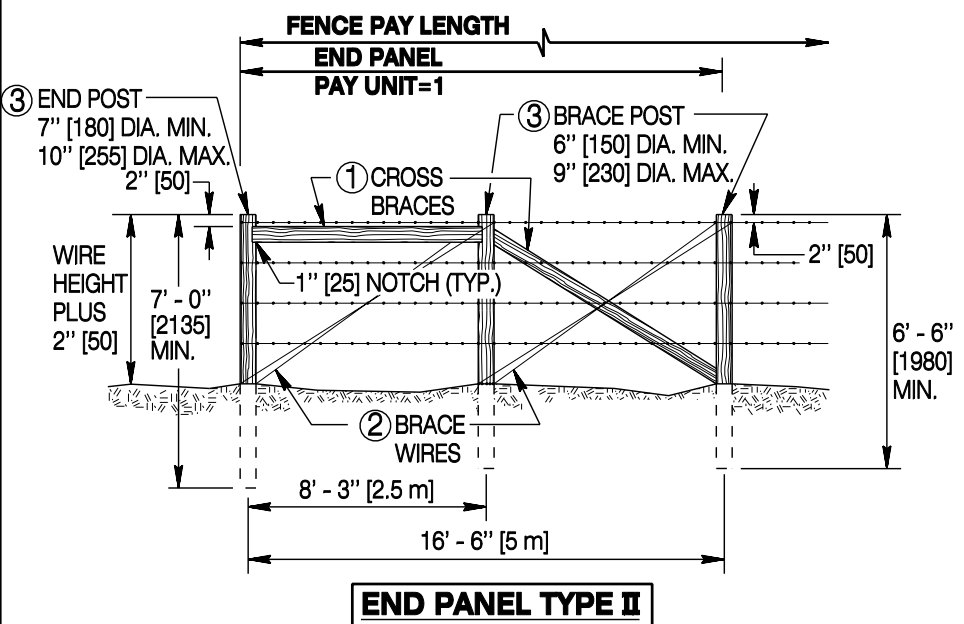
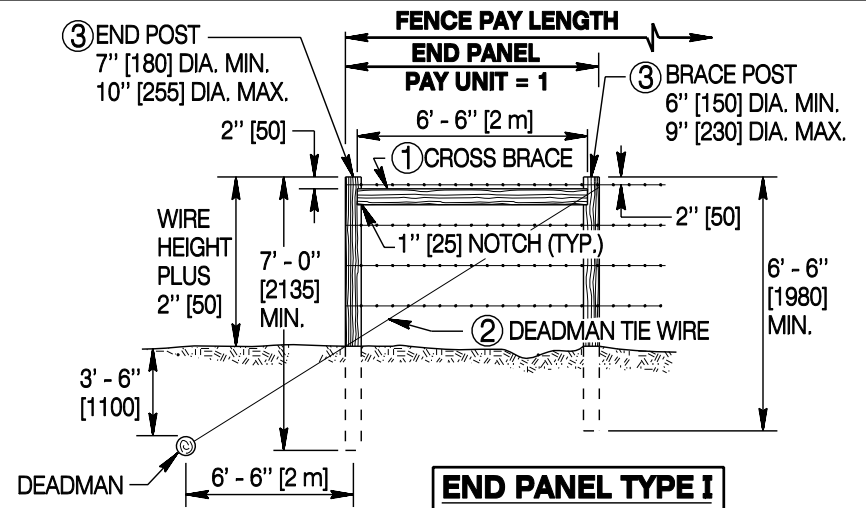
STANDARD PLAN NUMBER

**607-1A**

SHEET 3 of 6

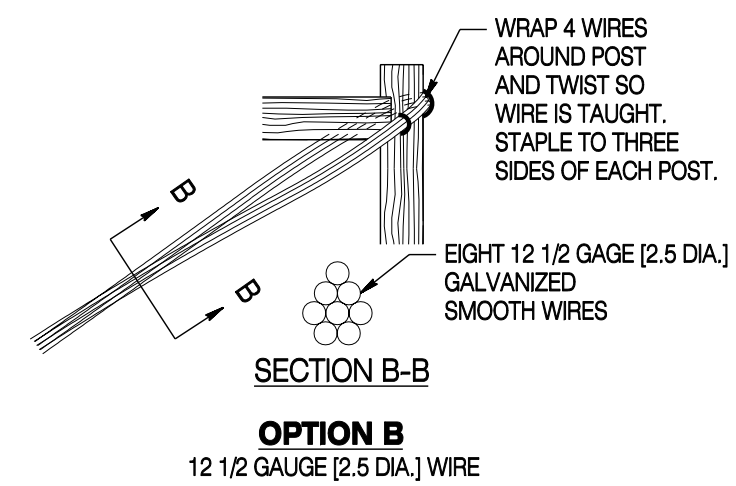
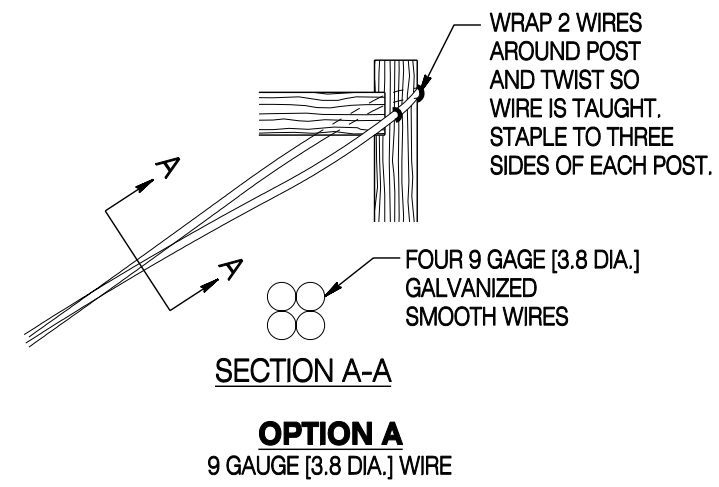
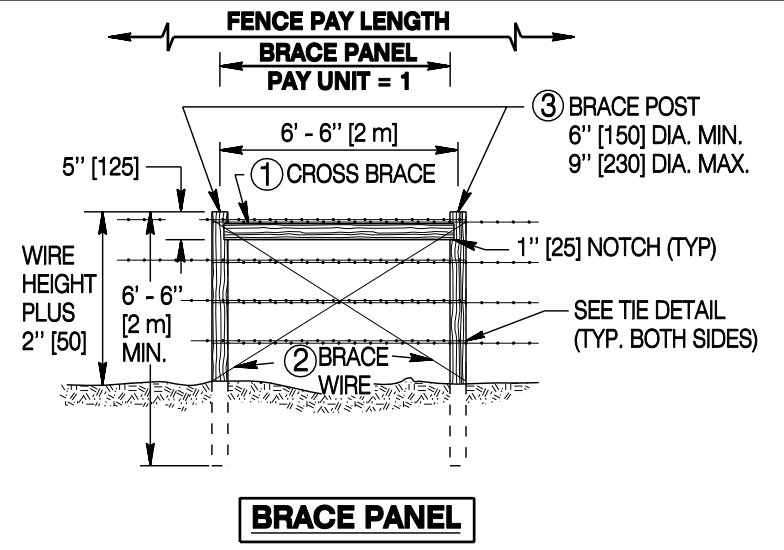
Issued by: ENGINEERING SERVICES

Date Issued: DECEMBER 2006

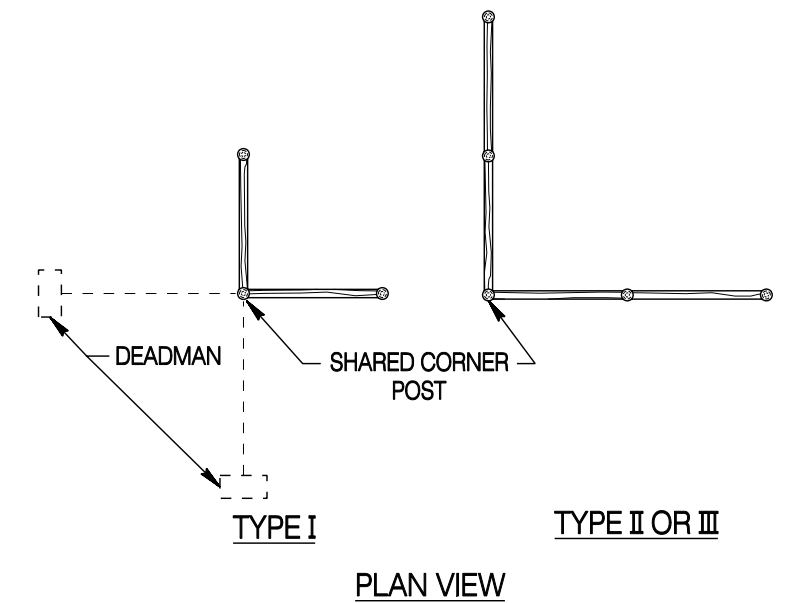
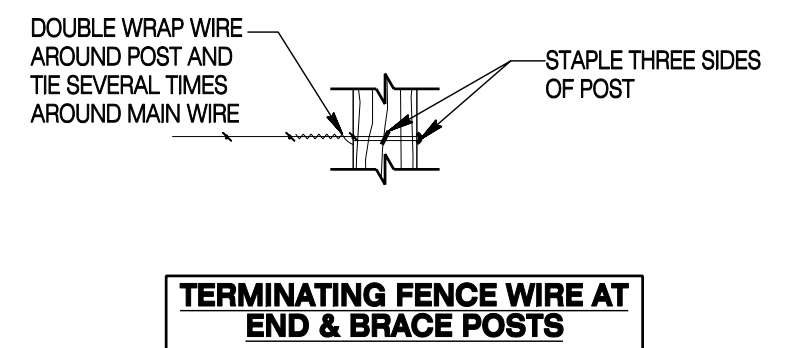


**NOTES**

- ① **CROSS BRACES**  
Provide wood cross braces that have a minimum diameter of 4 inches [100]. Install top of cross brace flush with top wire.
- ② **BRACE AND DEADMAN TIE WIRES**  
Staple brace and tie wire with a minimum of three staples to each wood post and/or deadman. Twist tie wires together to form a tight composite brace and/or anchor wire.
- ③ **BRACE AND END POSTS**  
Provide wood brace and end posts as shown.



**BRACE AND DEADMAN TIE WIRE DETAIL**



Designed by: WBW  
Drawn by: GLD  
Checked by: WBW  
Previous Dwg. No. 607-1

**END & BRACE PANEL DETAILS**

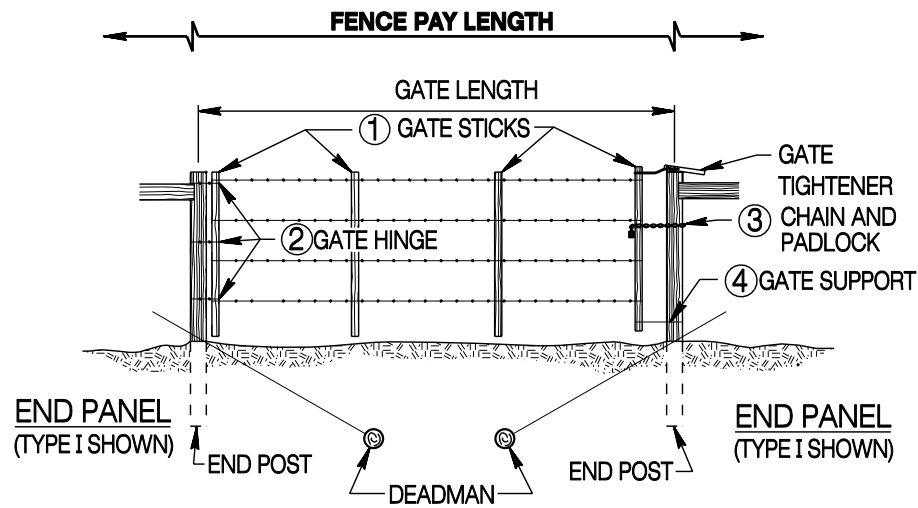
Note: Units shown in brackets [ ] are metric and are in millimeters (mm) unless other units are shown.



**WIRE FENCE**

STANDARD PLAN

STANDARD PLAN NUMBER  
**607-1A**  
SHEET 4 of 6  
Issued by: ENGINEERING SERVICES  
Date Issued: DECEMBER 2006



**WIRE GATES**

**1 GATE STICK**

Provide wood gate sticks with a minimum cross section of either a rough dimension 2 in. x 2 in. [50 x 50], 1 1/2 in. x 3 1/2 in. [40 x 90] (nominal 2 in. x 4 in. [50 x 100]) or 2 1/2 in. [65] diameter. Extend the stick 1 inch [25] below the bottom strand of wire and 2 inches [50] above the top strand of wire.

**2 GATE HINGE**

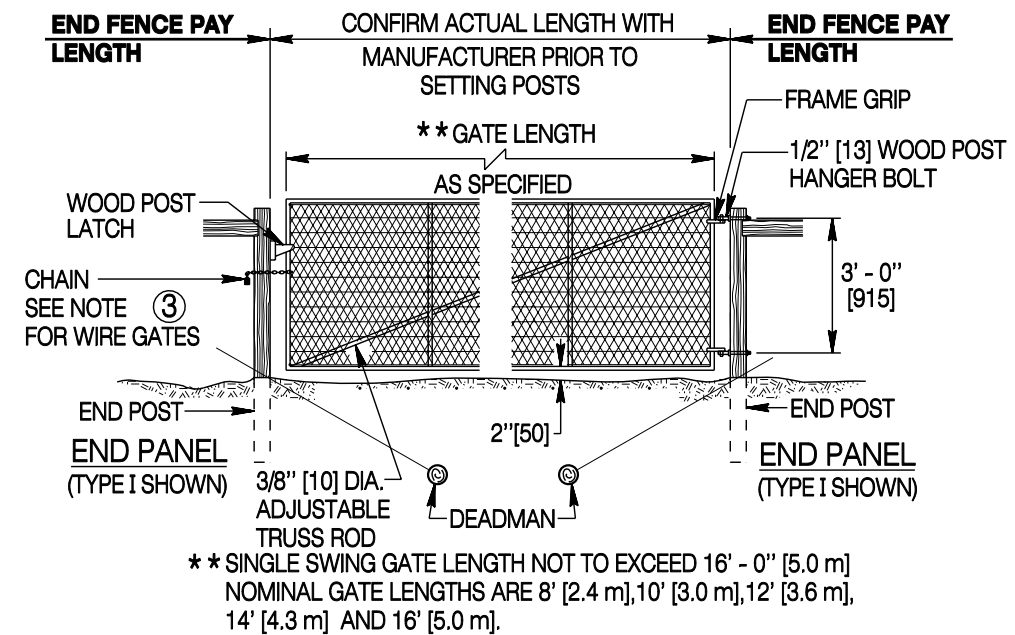
Staple to gate stick and to the end post. Use 3 per gate.

**3 GATE CHAIN**

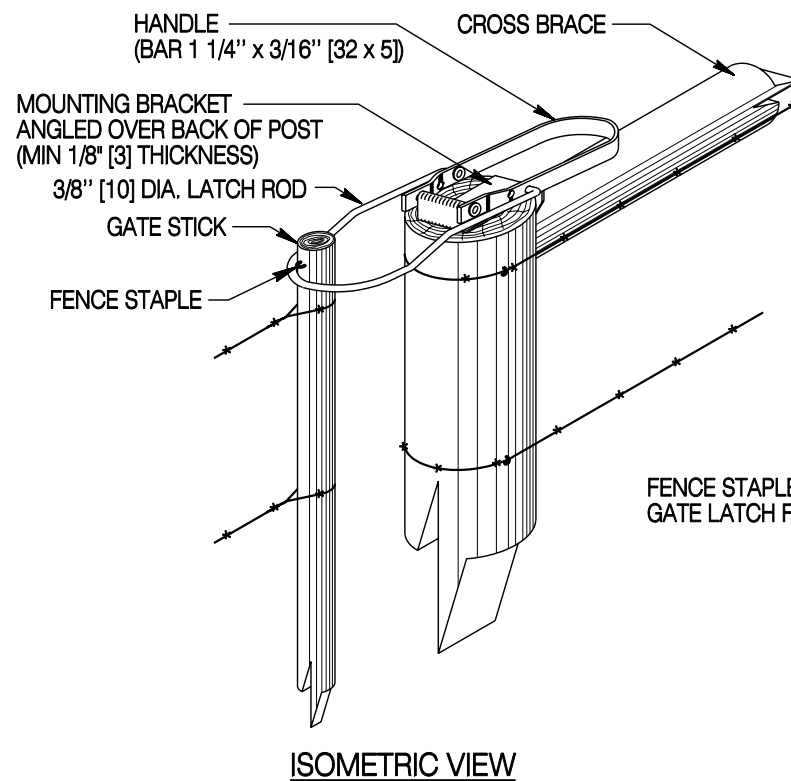
Provide 3 foot [915] long galvanized chains where required with 1/4 inch [6] diameter welded links. Secure to end post by wiring or stapling.

**4 GATE SUPPORT**

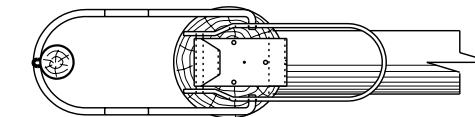
Secure to the end post leaving a loop big enough to encompass a gate stick.



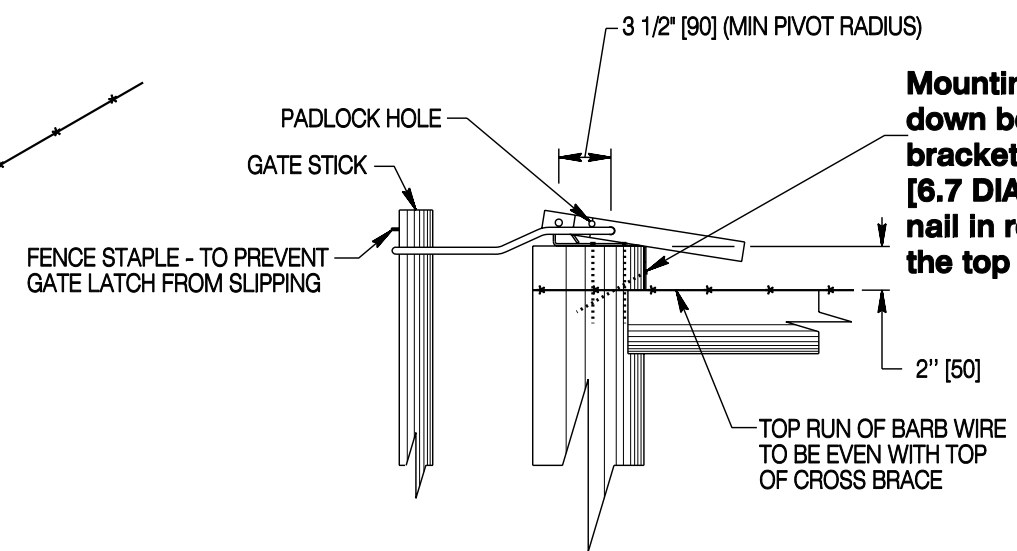
**GALVANIZED STEEL GATE**



ISOMETRIC VIEW



TOP VIEW



SIDE VIEW

**TYPICAL GATE TIGHTENER**

Shop paint gate tighteners. Use alternate tighteners only when approved by the engineer. It will be the sole discretion of the engineer in determining whether alternate gate tighteners are of equivalent strength, functionality and durability.

Designed by: WBW  
 Drawn by: GLD  
 Checked by: WBW  
 Previous Dwg. No. 607-1

**WIRE GATES AND GALVANIZED STEEL GATES**

Note: Units shown in brackets [ ] are metric and are in millimeters (mm) unless other units are shown.



**WYOMING DEPARTMENT OF TRANSPORTATION**



**WIRE FENCE**

STANDARD PLAN

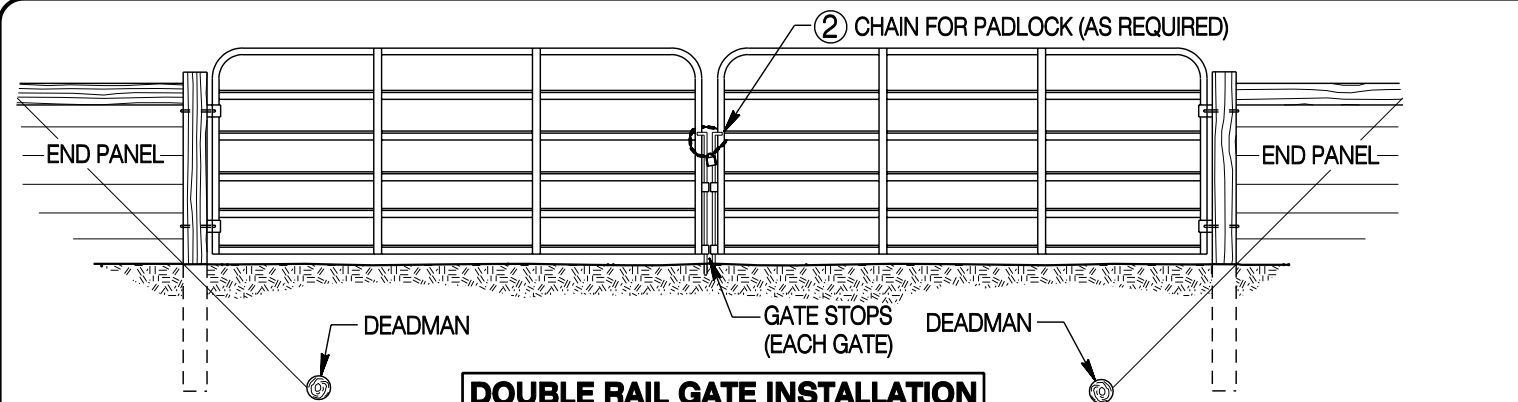
STANDARD PLAN NUMBER

**607-1A**

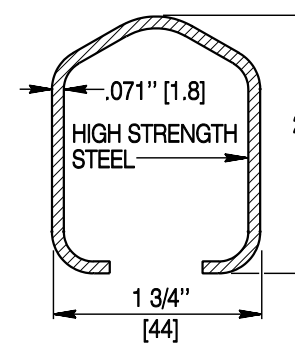
SHEET 5 of 6

Issued by: ENGINEERING SERVICES

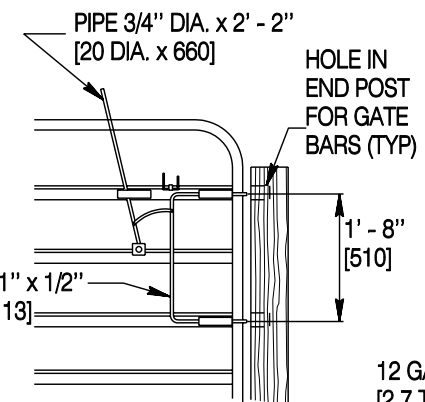
Date Issued: DECEMBER 2006



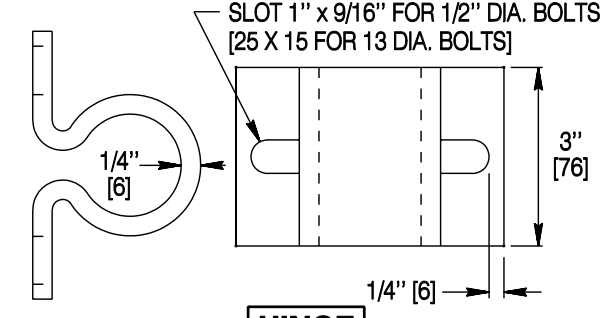
**DOUBLE RAIL GATE INSTALLATION**



**TYPICAL HORIZONTAL RAIL (SECTION A-A)**

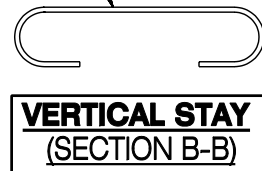


**GATE LATCH**



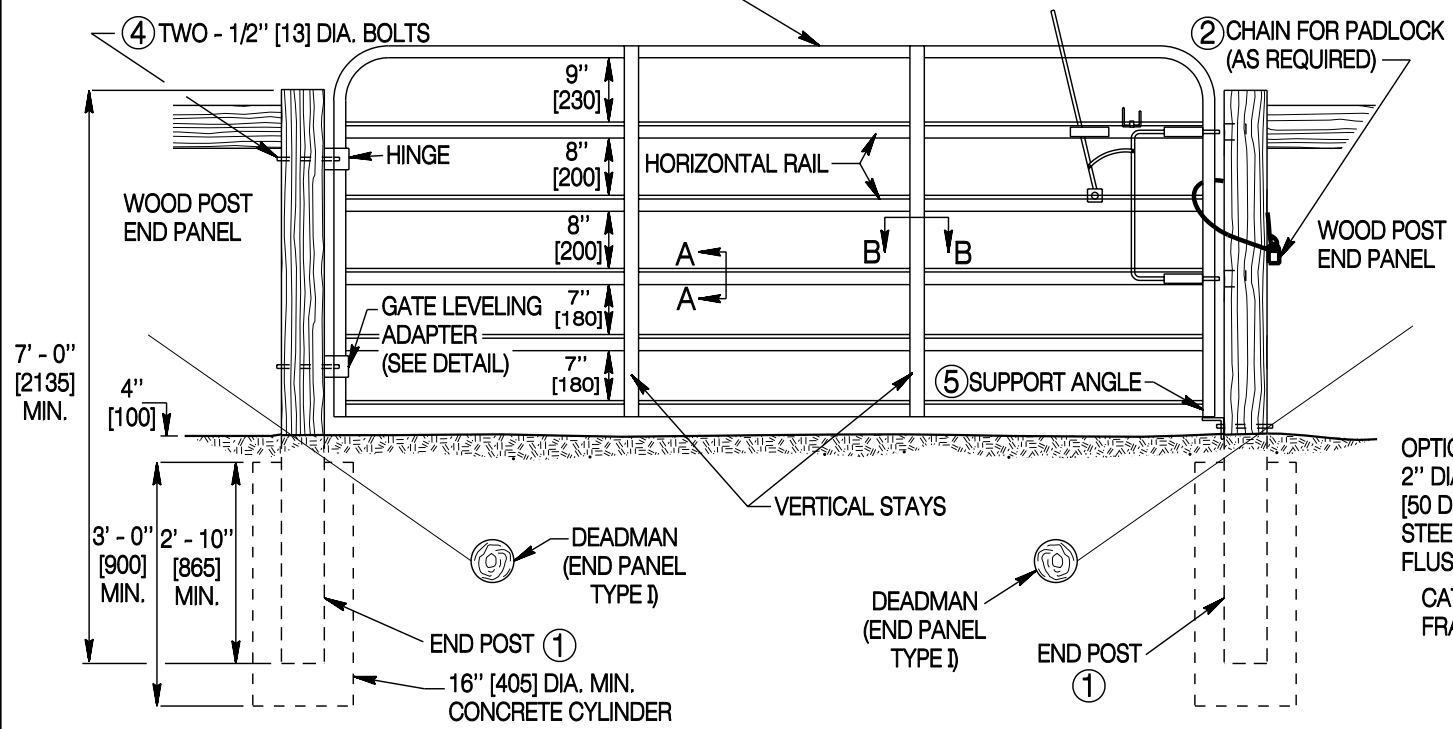
**HINGE**

12 GA. (MIN.) [2.7 THICK] FOR SQUARE OR ROUND WOODEN POSTS

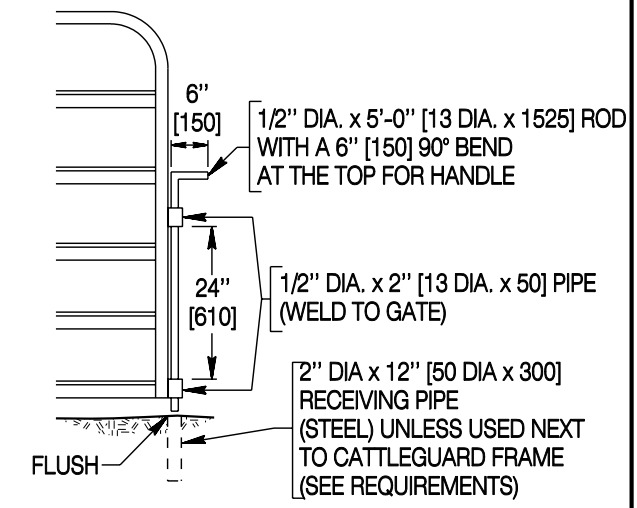


**VERTICAL STAY (SECTION B-B)**

FRAME TUBING 15 GA. [1.7 THICK] MIN. x 1.66\" [40] O.D.- HIGH STRENGTH STEEL

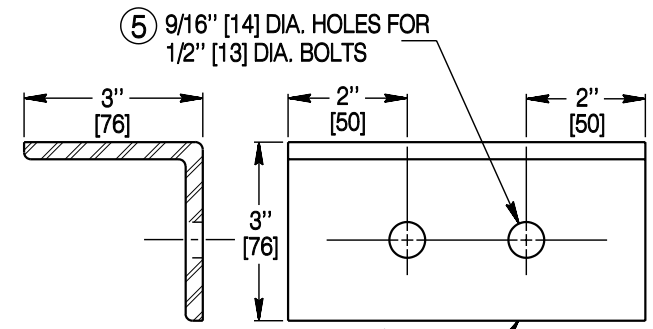


**TYPICAL SINGLE RAIL GATE INSTALLATION**

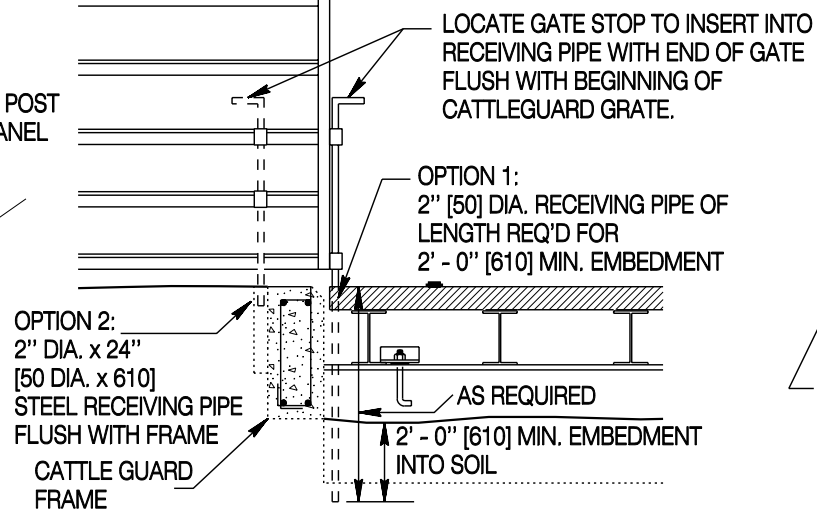


**GATE STOP**

(USE WITH BOTH GATES IN DOUBLE INSTALLATION AND FOR SINGLE GATE USED IN CONJUNCTION WITH CATTLEGUARD)

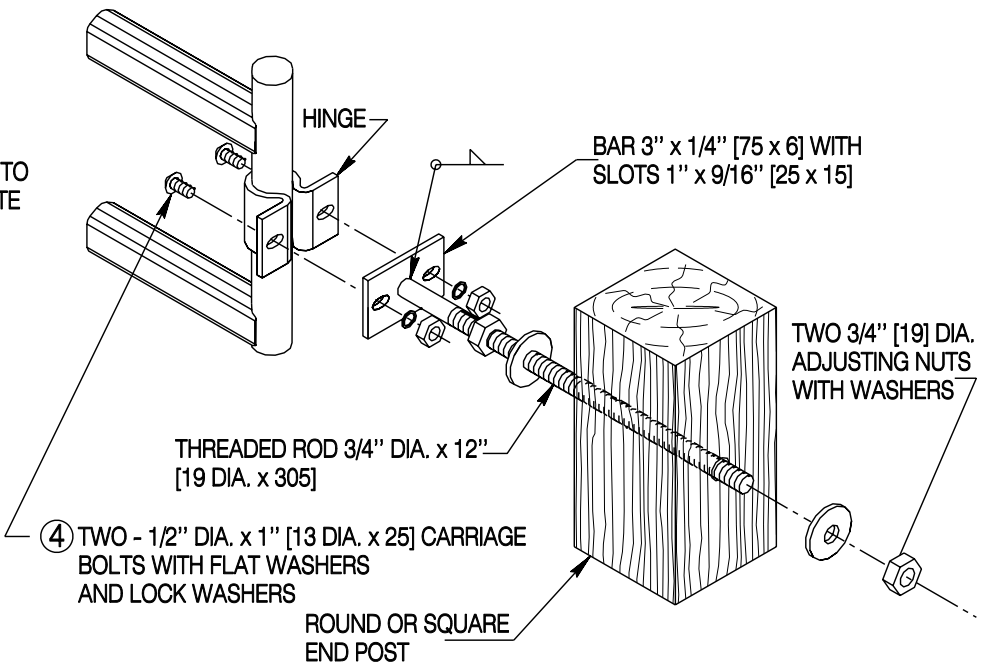


**SUPPORT ANGLE**



**SINGLE RAIL GATE INSTALLATION USED IN CONJUNCTION WITH CATTLEGUARD**

- RAIL GATE NOTES**
- POST EMBEDMENT**  
In lieu of anchoring end posts in concrete, embed a minimum of 4 ft. [1220] deep.
  - GATE CHAIN**  
When required provide 3 ft. [915] long, galvanized chains with 1/4\" [6] diameter welded links. Secure to the end post by wiring or stapling.
  - RAIL GATES**  
Alternate gates with horizontal rail, frame tubing and vertical stay sections may be used as approved by the engineer.
  - HINGE BOLTS**  
Use two 1/2 in [13] dia. bolts with nuts and washers for each hinge; bolt length to be determined by the size and type of post used.
  - SUPPORT ANGLE AND BOLTS**  
Use two 1/2 in. [13] dia. bolts with nuts and washers for attaching each support angle to the posts.



**GATE LEVELING ADAPTOR**

Designed by: WBW  
 Drawn by: GLD  
 Checked by: WBW  
 Previous Dwg. No. 607-1

**RAIL GATE DETAILS**

Note: Units shown in brackets [ ] are metric and are in millimeters (mm) unless other units are shown.



**WIRE FENCE**

**STANDARD PLAN**

STANDARD PLAN NUMBER  
**607-1A**  
 SHEET 6 of 6  
 Issued by: ENGINEERING SERVICES  
 Date Issued: DECEMBER 2006