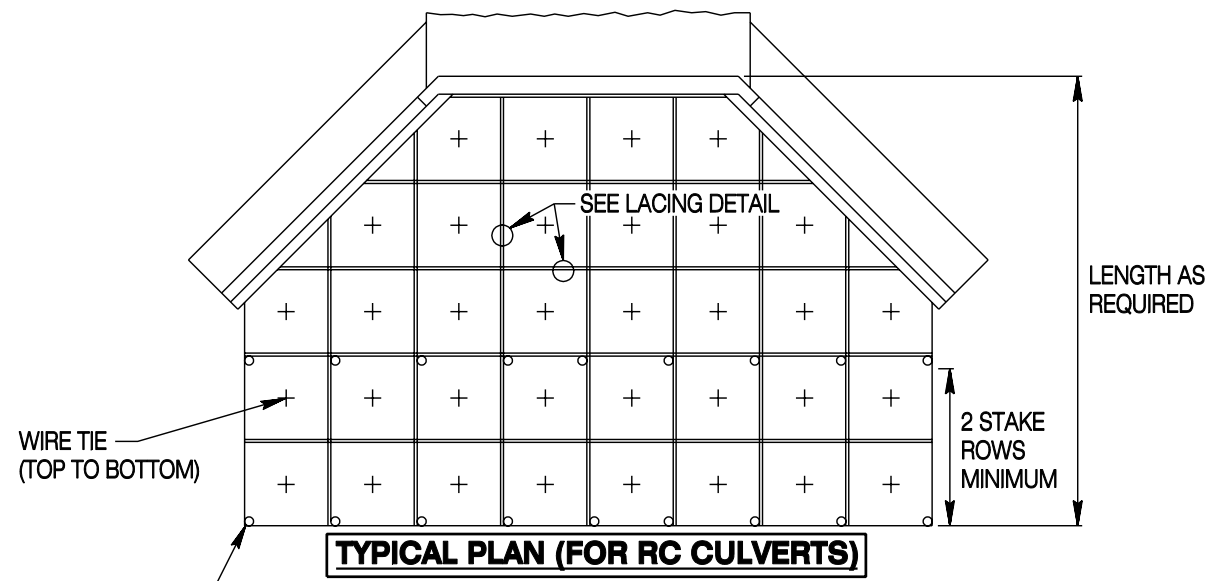
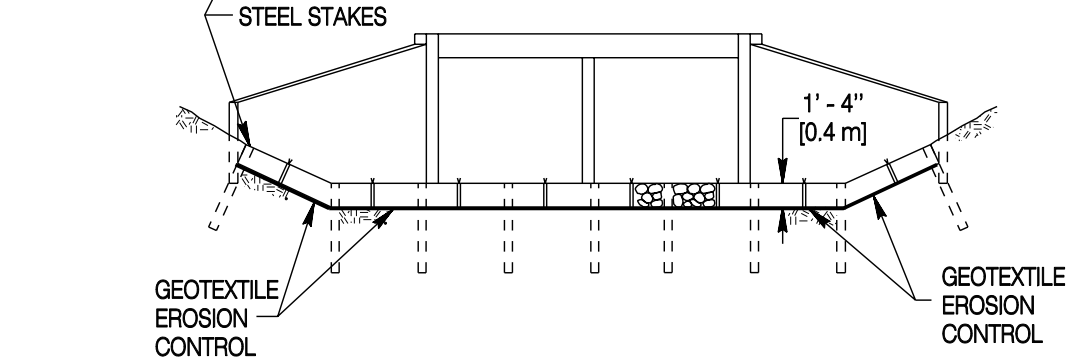


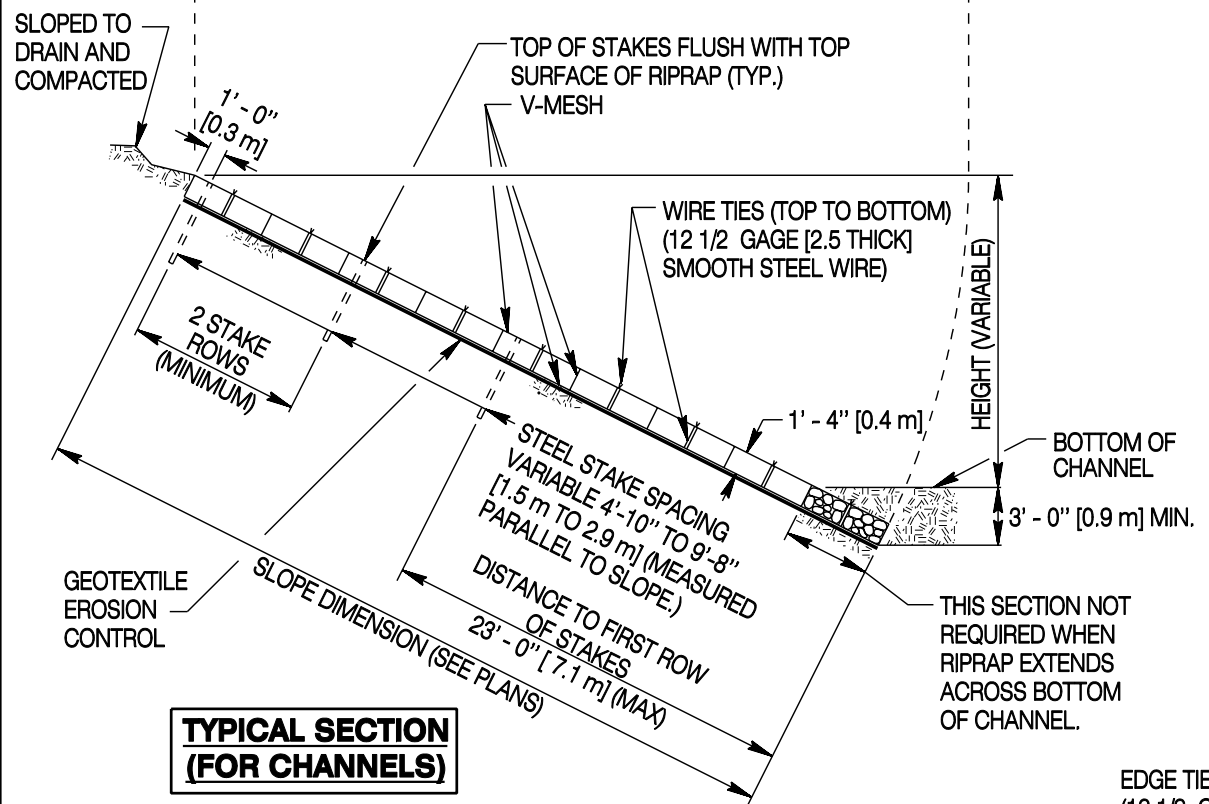
TYPICAL PLAN NORMAL TO SLOPE (FOR CHANNELS)



TYPICAL PLAN (FOR RC CULVERTS)

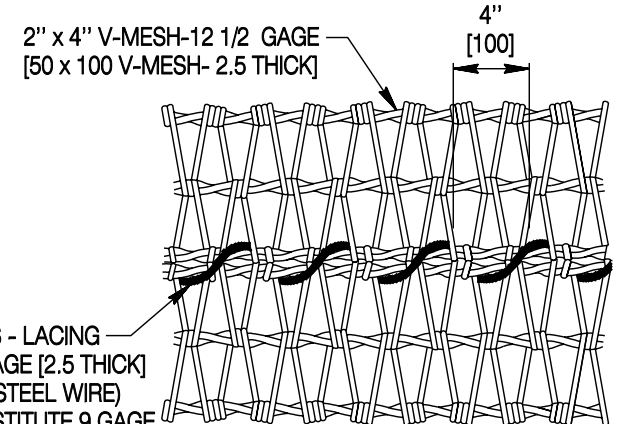


TYPICAL SECTION (FOR RC CULVERTS)

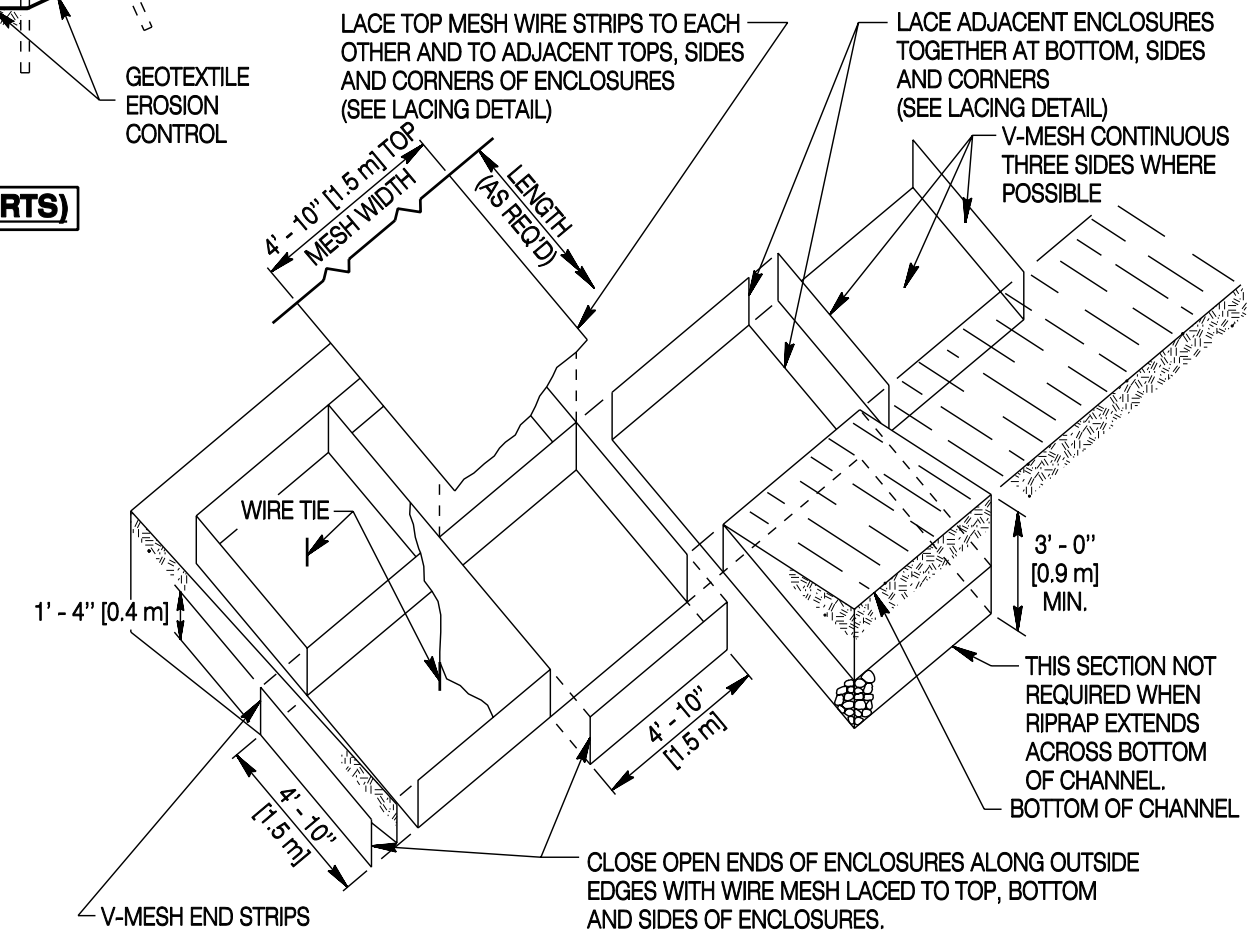


TYPICAL SECTION (FOR CHANNELS)

(SEE NOTE FOR STEEL STAKES)



LACING DETAIL FOR WIRE ENCLOSED RIPRAP



EXPANDED VIEW

General Notes For Wire Enclosed Riprap

Steel Stakes

Use stakes on slopes that are 1V:2H and steeper. Placement of stakes may vary with site conditions - place stakes as approved by the engineer.

V-Mesh

Use alternate mesh only with the approval of the engineer.

Lacing For Wire Enclosed Riprap

Lace edges and corners of wire mesh together.

Estimated Riprap Quantities

Estimate 0.444 CY [0.400 m³] of riprap for 1 SY [1 m²] surface area.

Geotextile Erosion Control (Fabric)

Place Geotextile erosion control under entire surface area of riprap.

Designed by: CRR
 Drawn by: GLD
 Checked by: WBW
 Previous Dwg. No. 511-1

WIRE ENCLOSED RIPRAP DETAILS



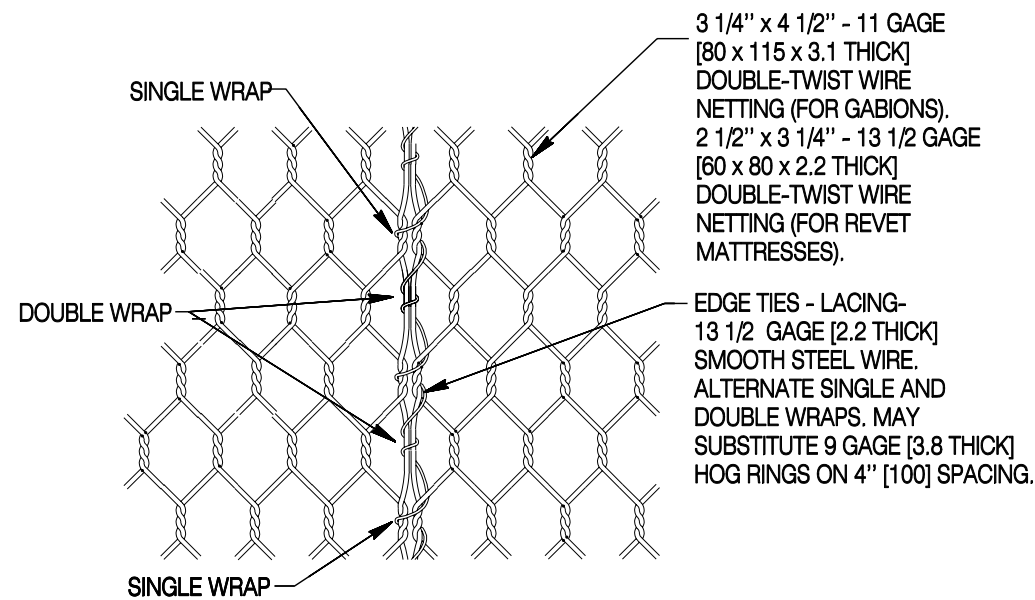
WYOMING DEPARTMENT OF TRANSPORTATION

WIRE ENCLOSED RIPRAP AND GABIONS

STANDARD PLAN

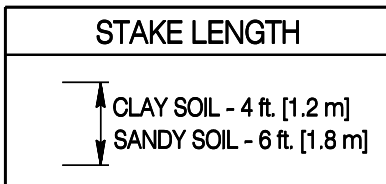
STANDARD PLAN NUMBER
511-1A
 SHEET 1 of 3
 Issued by: ENGINEERING SERVICES
 Date Issued: DECEMBER 2006

Note: Units shown in brackets [] are metric and are in millimeters (mm) unless other units are shown.



LACING DETAIL FOR GABIONS AND REVET MATTRESSES

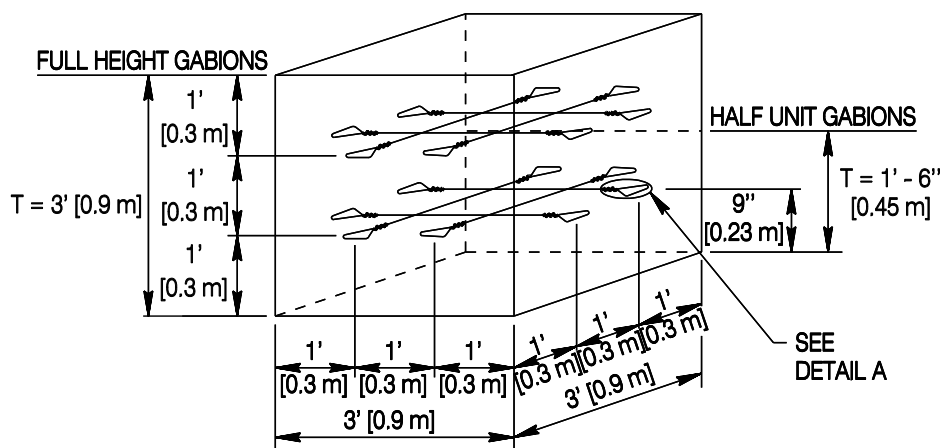
SLOPE	SPACING			
	ACROSS		DOWN	
	FT	m	FT	m
1V:2H	6	1.8	8	2.4
1V:2.5H	6	1.8	8	2.4
1V:3H	12	3.6	12	3.6
1V:4H	12	3.6	12	3.6
1V:5H	12	3.6	12	3.6
1V:6H	NONE	NONE	NONE	NONE



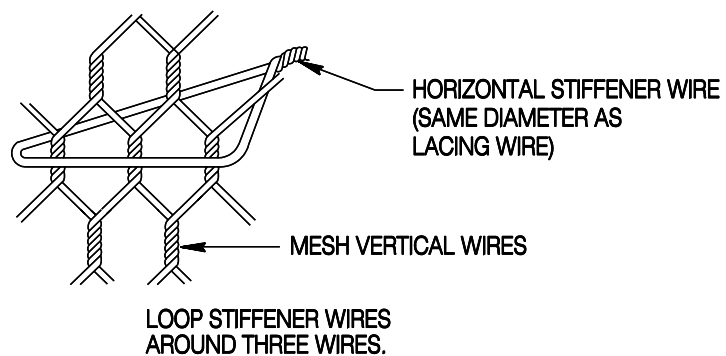
NOTE: PLACE STAKES NEAR CONNECTIONS OF UNITS WHEN POSSIBLE. USE STRAIGHT STAKES AND DO NOT WIRE TO THE BASKET. SEE GENERAL NOTES, SHEET 1.

STANDARD REVET MATTRESS SIZES					
R x S x T		NO. OF CELLS (EACH UNIT)	UNIT CAPACITY		VOLUME PER SURFACE AREA
FT x FT x FT	m x m x m		CY	m ³	
9 x 6 x .75	2.7 x 1.8 x 0.23	3	1.5	1.1	0.028 CY/ft ²
12 x 6 x .75	3.6 x 1.8 x 0.23	4	2.0	1.5	0.23 m ³ /m ²

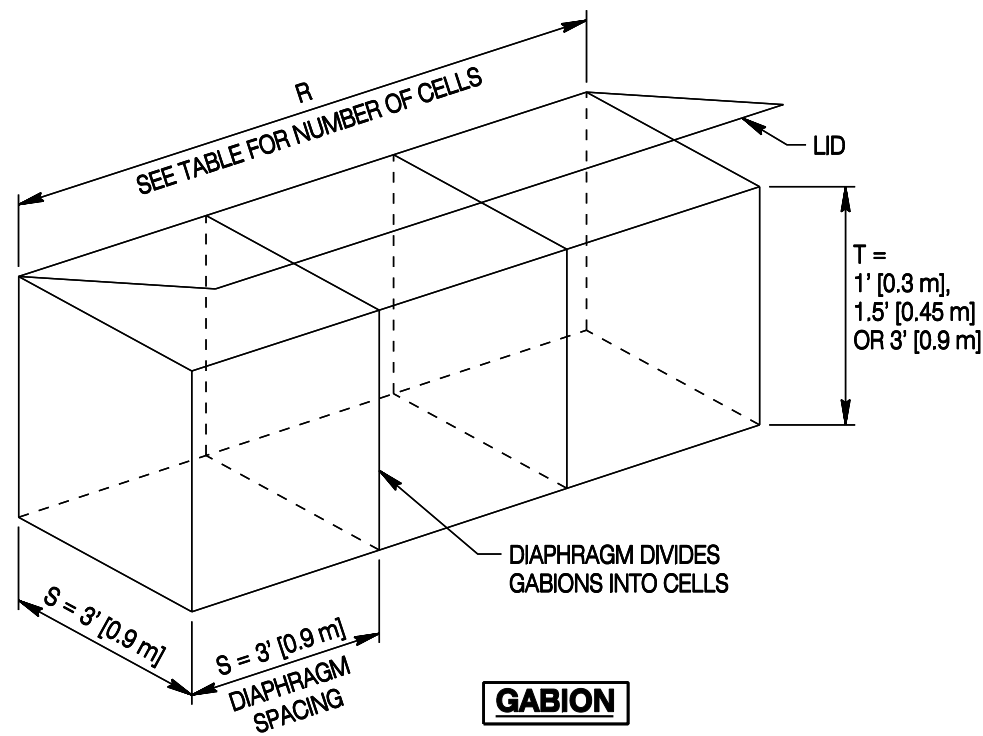
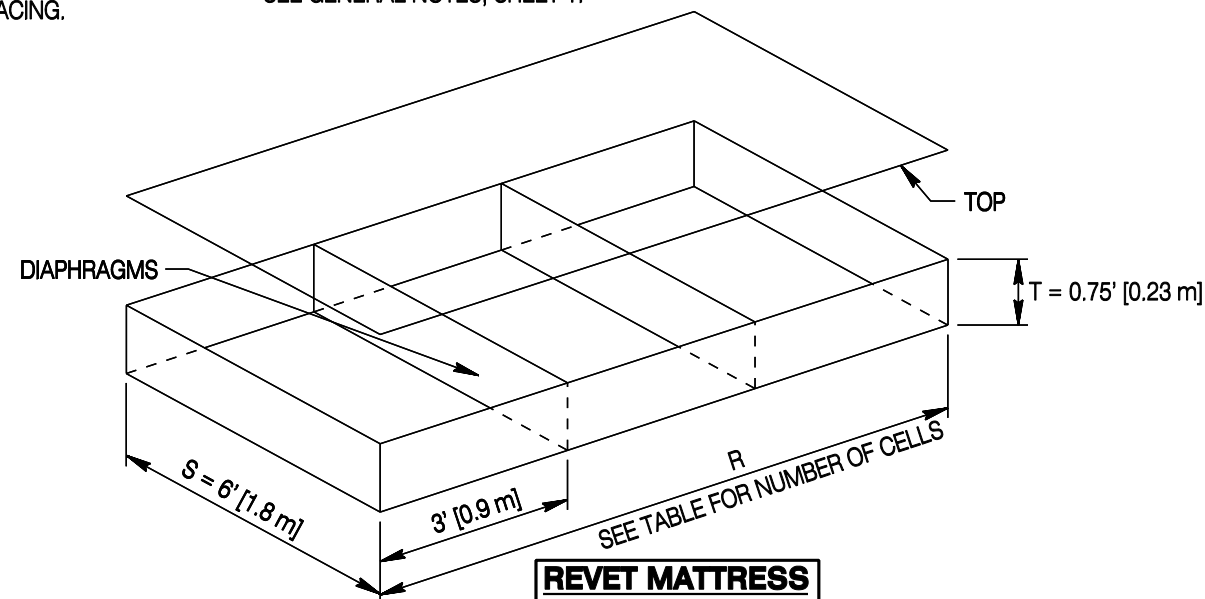
STANDARD GABION SIZES					
R x S x T		NO. OF CELLS (EACH UNIT)	UNIT CAPACITY		VOLUME PER SURFACE AREA
FT x FT x FT	m x m x m		CY	m ³	
6 x 3 x 3	1.8 x 0.9 x 0.9	2	2.0	1.5	0.11 CY/ft ² 0.9 m ³ /m ²
9 x 3 x 3	2.7 x 0.9 x 0.9	3	3.0	2.3	
12 x 3 x 3	3.6 x 0.9 x 0.9	4	4.0	3.1	0.056 CY/ft ² 0.45 m ³ /m ²
6 x 3 x 1.5	1.8 x 0.9 x 0.45	2	1.0	0.8	
9 x 3 x 1.5	2.7 x 0.9 x 0.45	3	1.5	1.1	0.037 CY/ft ² 0.30 m ³ /m ²
12 x 3 x 1.5	3.6 x 0.9 x 0.45	4	2.0	1.5	
6 x 3 x 1	1.8 x 0.9 x 0.3	2	0.7	0.5	0.037 CY/ft ² 0.30 m ³ /m ²
9 x 3 x 1	2.7 x 0.9 x 0.3	3	1.0	0.8	
12 x 3 x 1	3.6 x 0.9 x 0.3	4	1.3	1.0	



HALF HEIGHT AND FULL HEIGHT GABION CELL HORIZONTAL STIFFENER WIRE REQUIREMENTS



DETAIL A HORIZONTAL STIFFENER WIRE CONNECTION



Gabion and Revet Mattress Construction

Place riprap in gabions in lifts not to exceed 1 ft. [0.3 m] or the height of each horizontal stiffener wire level, whichever is less. Install horizontal tie wires and proceed to the next lift. Continue until gabions are full. Lace lid or top to sides and diaphragms and tie to other units.

1 ft. [0.3 m] Gabions and Revet mattresses do not require horizontal stiffener wires.

Designed by: CRR
 Drawn by: GLD
 Checked by: WBW
 Previous Dwg. No. 511-1

GABION AND REVET MATTRESS DETAILS

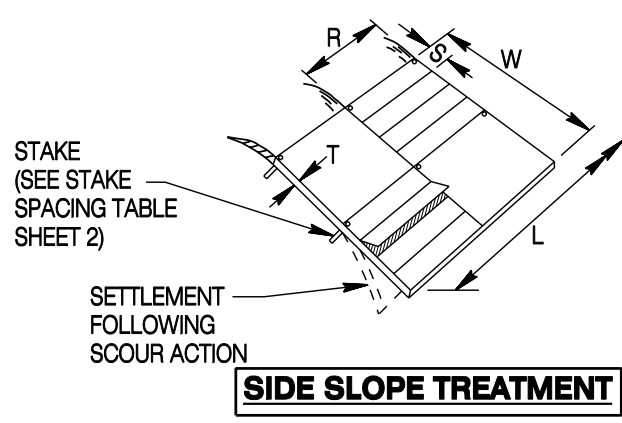
Note: Units shown in brackets [] are metric and are in millimeters (mm) unless other units are shown.



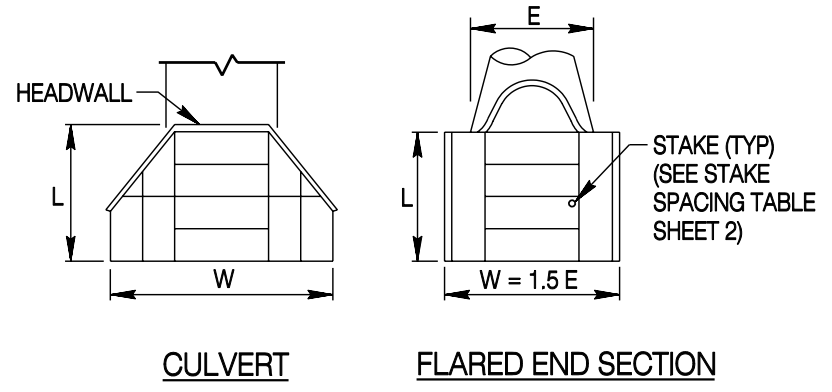
WIRE ENCLOSED RIPRAP AND GABIONS

STANDARD PLAN

STANDARD PLAN NUMBER
511-1A
 SHEET 2 of 3
 Issued by: ENGINEERING SERVICES
 Date Issued: DECEMBER, 2006

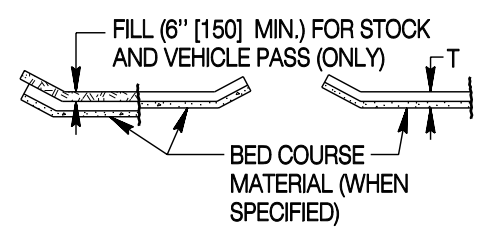


SIDE SLOPE TREATMENT

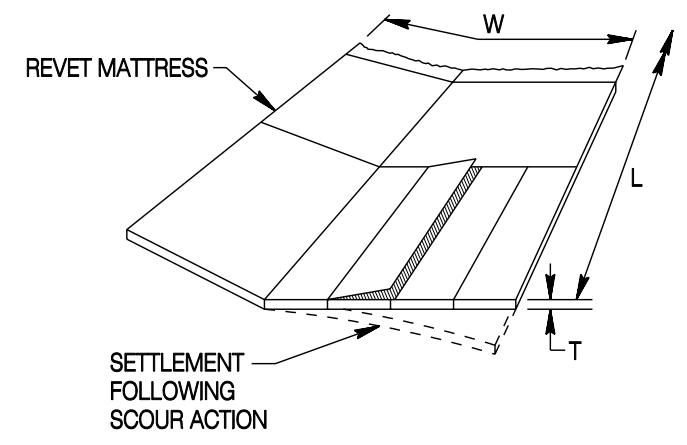


CULVERT

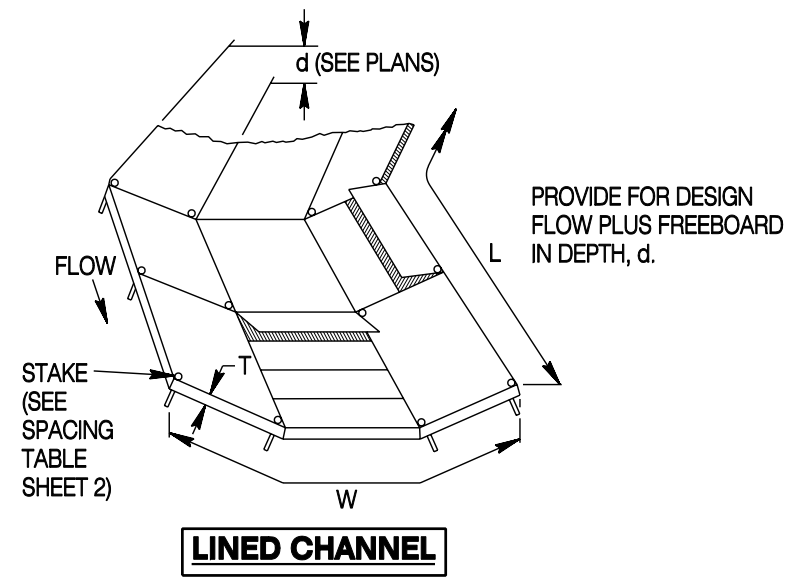
FLARED END SECTION



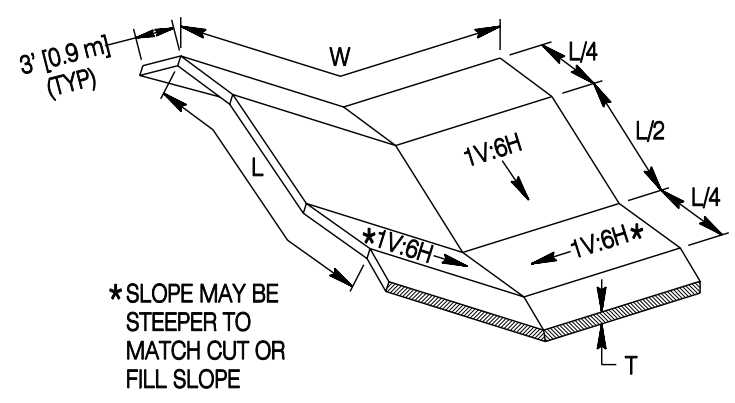
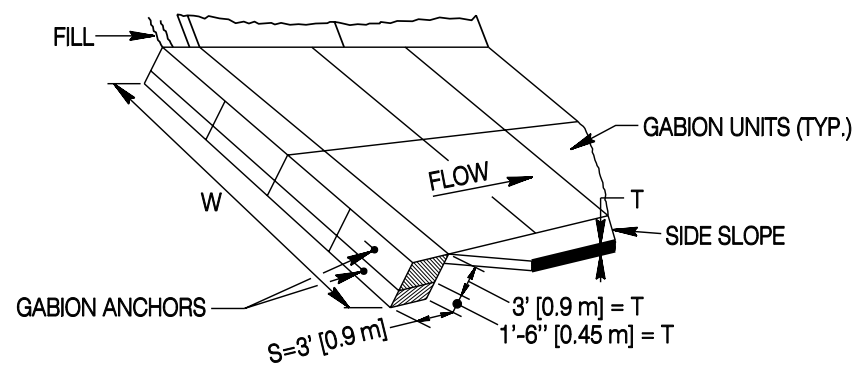
OUTLET TREATMENT



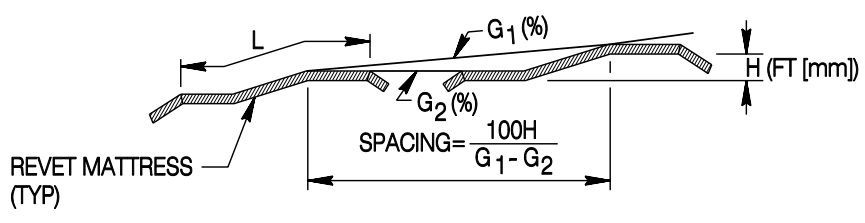
SCOUR APRON



LINED CHANNEL

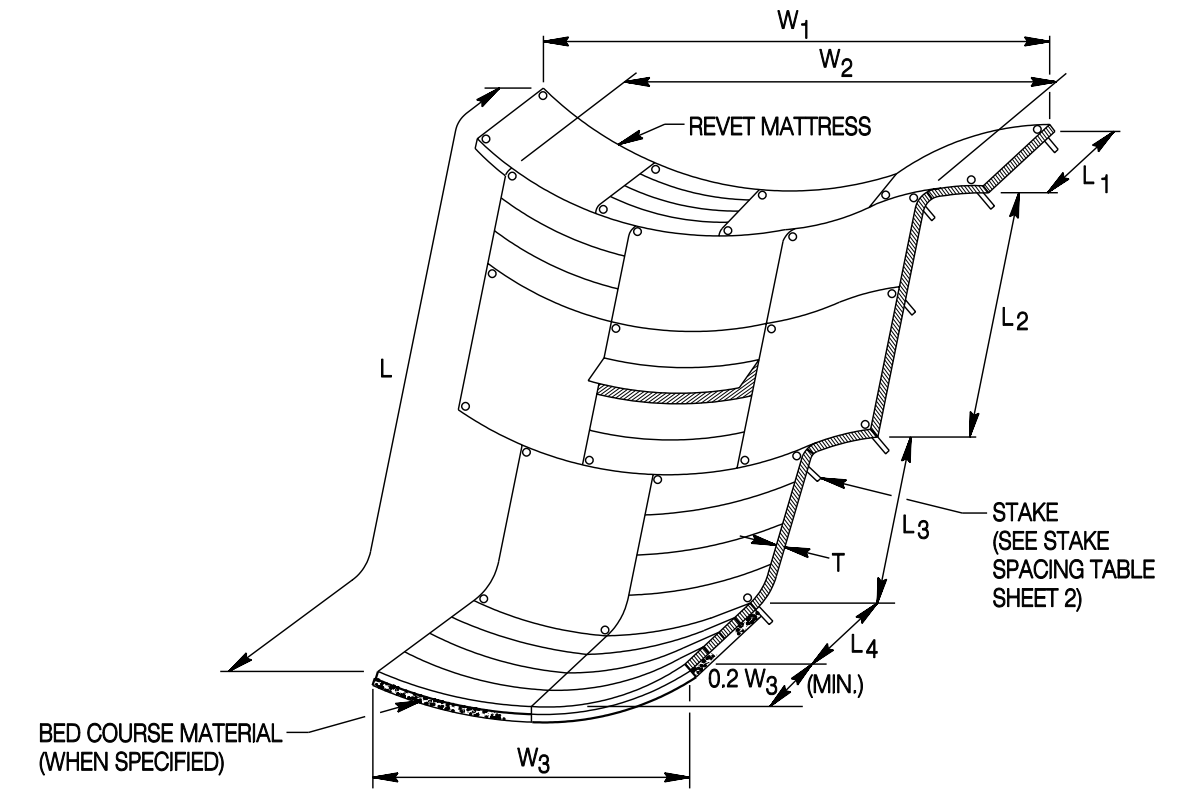


BORROW DITCH CHECK

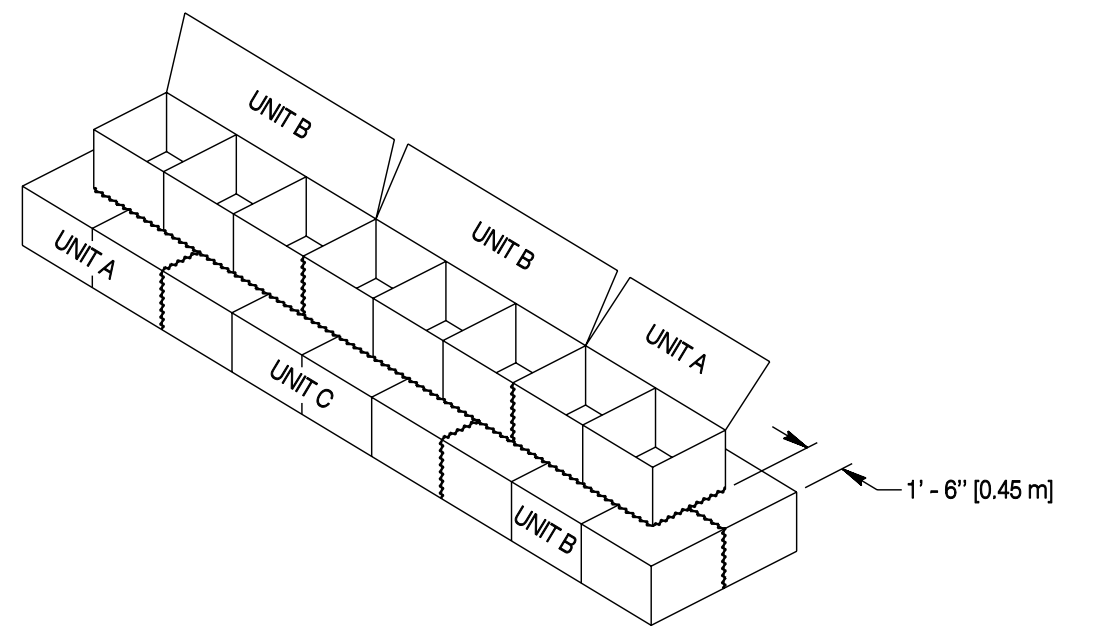


REJET MATTRESS (TYP)

$$SPACING = \frac{100H}{G_1 - G_2}$$



CHANNEL DROP



PLACING AND FASTENING ADJACENT BASKETS

Designed by: CRR
 Drawn by: GLD
 Checked by: WBW
 Previous Dwg. No. 511-1

GABION AND REJET MATTRESS DETAILS

Note: Units shown in brackets [] are metric and are in millimeters (mm) unless other units are shown.



WIRE ENCLOSED RIPRAP AND GABIONS

STANDARD PLAN

STANDARD PLAN NUMBER
511-1A
 SHEET 3 of 3
 Issued by: ENGINEERING SERVICES
 Date Issued: DECEMBER, 2006