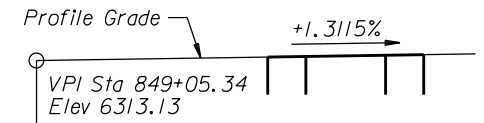


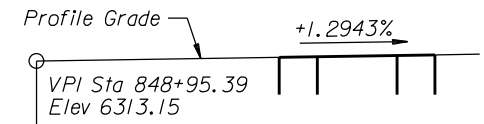
Nov 2019

4.21 - Example

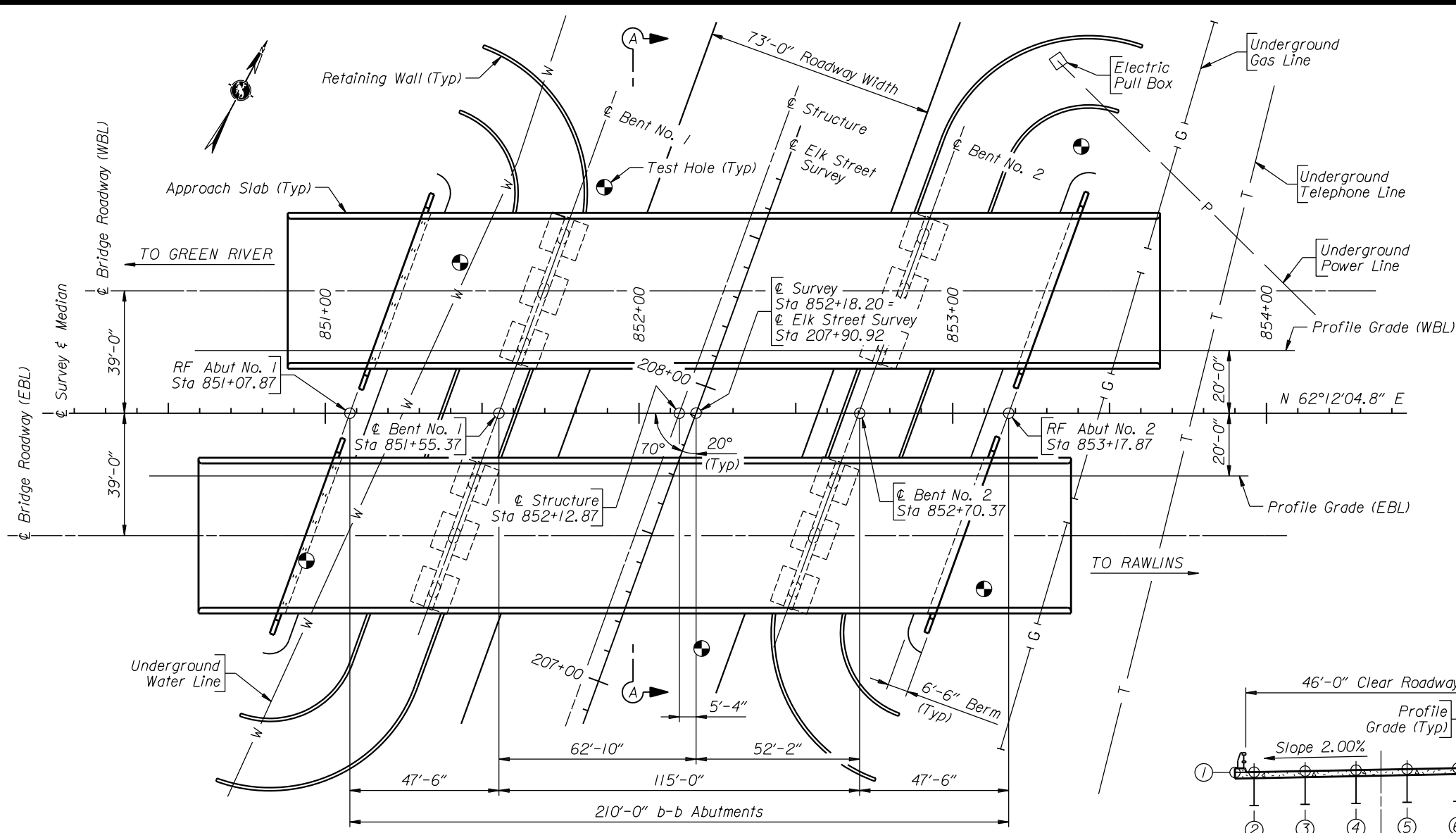
Wyo. Proj. 0802173
Sheet B109 of B178 Sheets



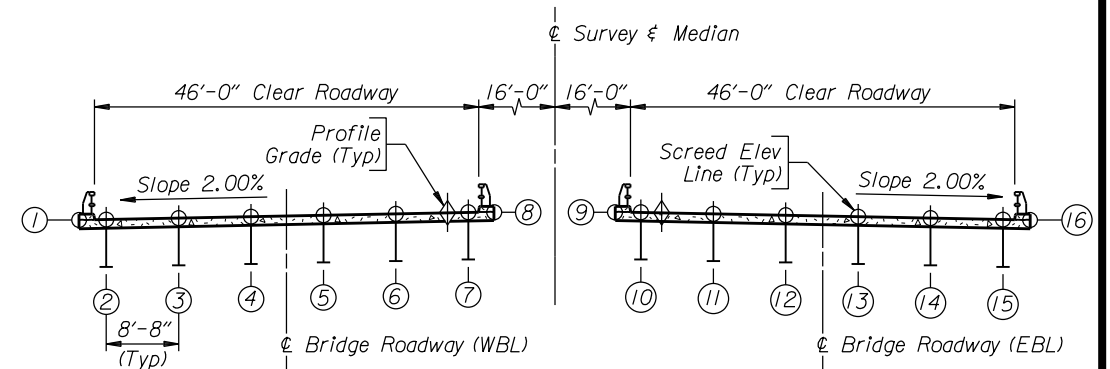
GRADE DATA (WBL)



GRADE DATA (EBL)

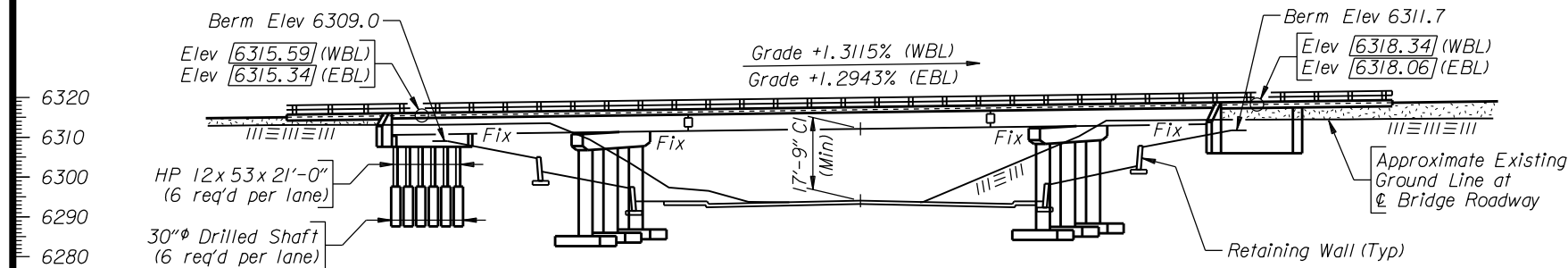


PLAN



SECTION A-A

Note: Elevations shown as 6315.59 indicate finished grade at rear face abutment on ϕ Bridge Roadway.

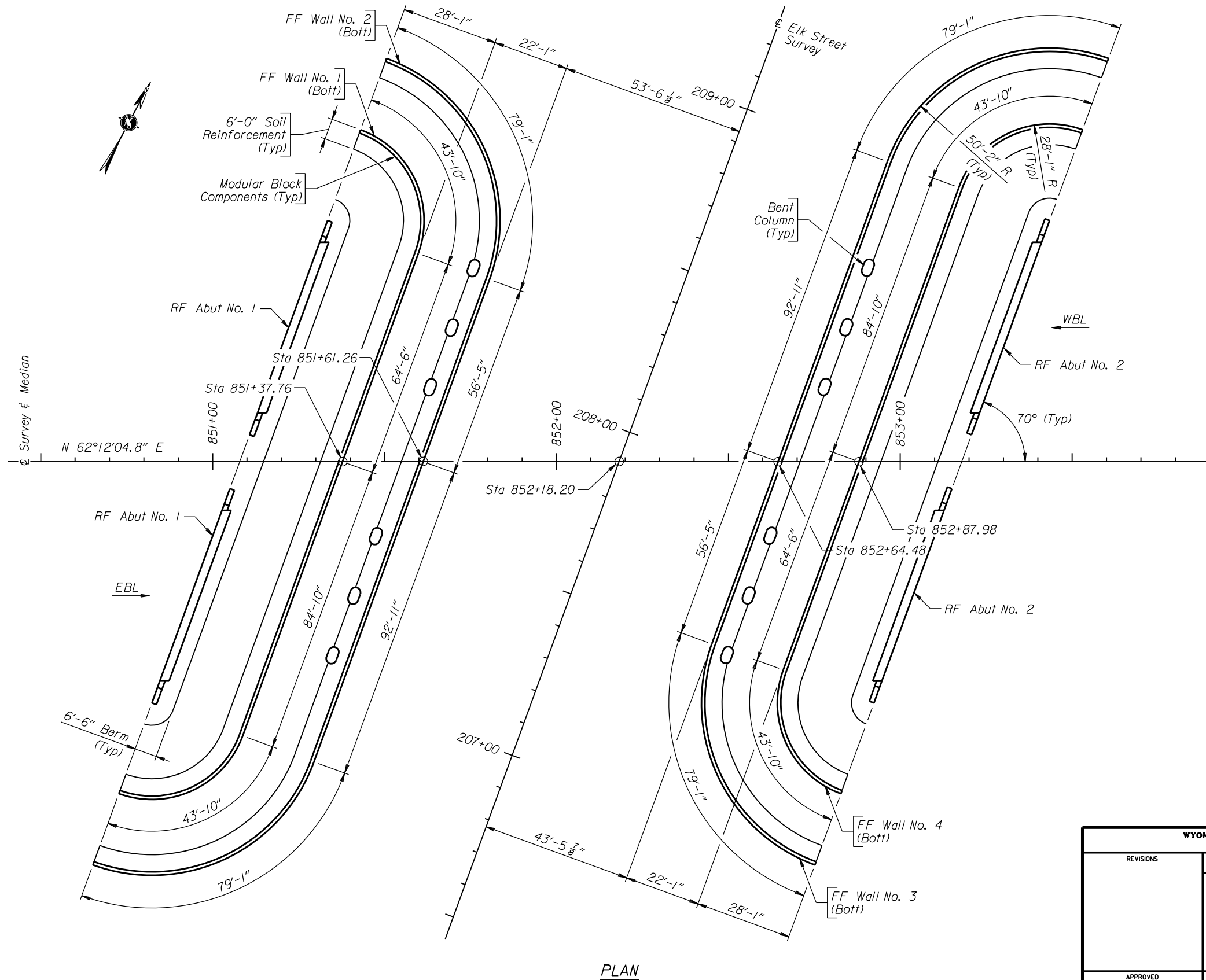


ELEVATION

(3 Continuous Composite Welded Plate Girder Spans)
(EBL shown, WBL similar)

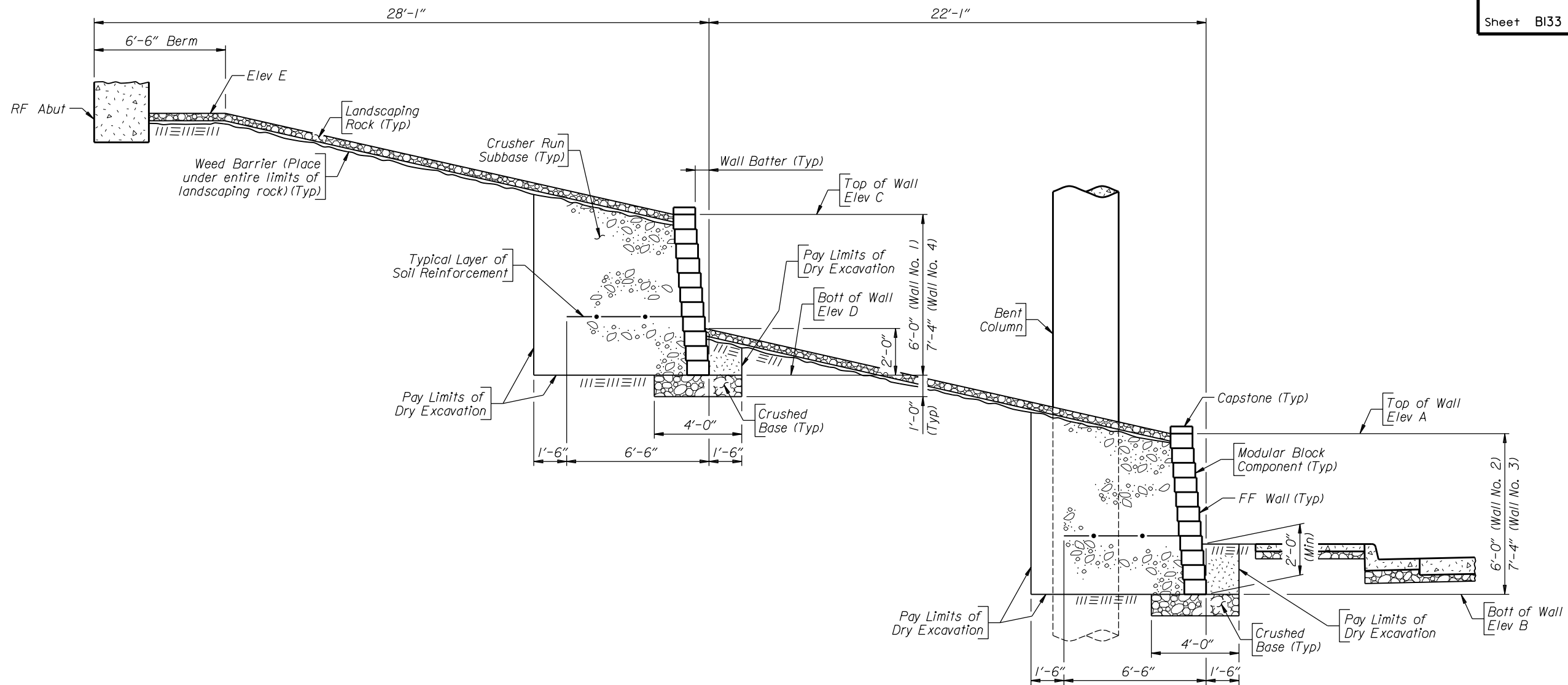
WYOMING DEPARTMENT OF TRANSPORTATION BRIDGE PROGRAM	
REVISIONS	GENERAL PLAN AND ELEVATION
	ELK STREET INTERCHANGE
	STA 852+18.20
	Rock Springs Marginal
	Elk Street & Killpecker Creek Section
	1080-02(173) Sw
APPROVED	DESIGN <input checked="" type="checkbox"/> <input checked="" type="checkbox"/> <input checked="" type="checkbox"/> Design Section B C Def
DATE	DETAIL <input checked="" type="checkbox"/> <input checked="" type="checkbox"/> <input checked="" type="checkbox"/> Drwg. No. 0020 Sheet 3 of 27
	O'S. <input checked="" type="checkbox"/> <input checked="" type="checkbox"/> <input checked="" type="checkbox"/>

Section 4.21 - Earth Retaining Structures

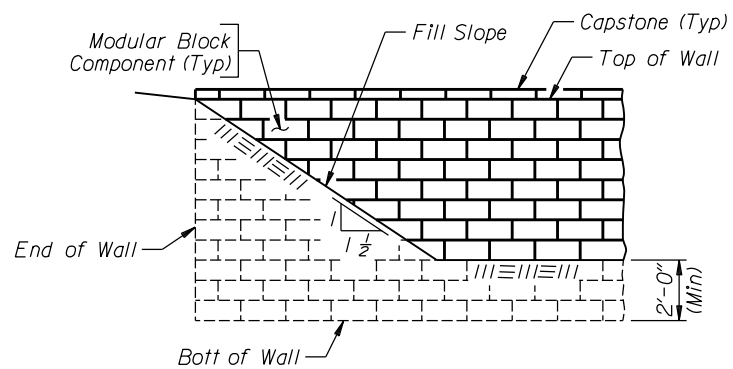


Section 4.21 - Earth Retaining Structures

WYOMING DEPARTMENT OF TRANSPORTATION			
BRIDGE PROGRAM			
REVISIONS		RETAINING WALL DETAILS	
		ELK STREET INTERCHANGE	
		STA 852+18.20	
		Rock Springs Marginal	
		Elk Street & Killpecker Creek Section	
		0802173 Sw	
APPROVED	DESIGN TTT ✓ YYY	Design Section B C Def	
DATE	DETAIL RRR ✓ TTT	Drwg. No. 0020 Sheet 26 of 27	
	0'S. RRR ✓ SSS		



TYPICAL SECTION



FILL SLOPE TRANSITION DETAIL
(Looking at front face wall)
(Landscaping rock not shown)

Note: Top of wall elevations do not include correction for soil reinforcement thickness.

TABLE OF ELEVATIONS		
Elevation	Abut No. 1	Abut No. 2
A	6297.50	6298.83
B	6291.50	6291.50
C	6305.00	6307.83
D	6299.00	6300.50
E	6309.00	6311.70

WYOMING DEPARTMENT OF TRANSPORTATION			
BRIDGE PROGRAM			
REVISIONS	RETAINING WALL DETAILS		
	ELK STREET INTERCHANGE		
	STA 852+18.20		
Rock Springs Marginal			
Elk Street & Killpecker Creek Section			
0802173 Sw			
APPROVED	DESIGN TTT ✓ YYY	Design Section B C Def	
DATE	DETAIL RRR ✓ TTT	Drwg. No. 0020 Sheet 27 of 27	
	0'S. RRR ✓ SSS		